

**NOTES**

1. TREE HOLES IN RESIDENTIAL AREAS SHALL BE NOT LESS THAN 18" IN DIAMETER AND NOT LESS THAN 12" DEEPER THAN THE CONTAINER OR ROOT SYSTEM.
2. TREE HOLES IN COMMERCIAL SIDEWALK AREAS SHALL NOT BE LESS THAN 30" IN DIAMETER, AND NOT LESS THAN 12" DEEPER THAN THE CONTAINER OR ROOT SYSTEM.
3. ONE STREET TREE SHALL BE PROVIDED PER RESIDENTIAL LOT PER STREET, OR AS SHOWN ON PLANS APPROVED BY THE CITY ENGINEER.
4. TREE TIES SHALL BE RUBBER OR, APPROVED EQUAL AND SHALL BE A MINIMUM OF 18" LONG, AND BE SECURELY FASTENED TO THE STAKE WITH 1½" GALVANIZED ROOFING NAILS.
5. A ROOT PROTECTOR "DEEP ROOT PLANTER" OR EQUAL SHALL BE INSTALLED FOR ALL TREES IN SIDEWALK AREAS. SEE CITY STANDARD DETAIL L-3 FOR ROOT BARRIER DETAIL.
6. TREES SHALL BE PLANTED AT 10' MIN. CLEAR FROM WALLS, FENCES, TABLES, BENCHES, LIGHT BOLLARDS, DRINKING FOUNTAINS, ETC.
7. NO TREES SHALL BE PLANTED WITHIN 5' OF EXISTING OR DESIGNED JOINT TRENCH UTILITY, 35' FROM STREET INTERSECTION, AND 20' FROM STREETLIGHT.
8. SET TREES ROOT BALL 3" ABOVE GRADE; SCARIFY ROOT WALLS AND BOTTOM OF HOLE; SQUARE-OFF HOLE.
9. PRIOR TO EXCAVATION OF NEW TREE, CONTRACTOR SHALL USE TO VERIFY LOCATION OF ALL NEARBY EXISTING UTILITIES.
10. 4" PERFORATED PVC PIPE SHALL EXTEND 6" BEYOND ROOT BALL, SHALL BE FILLED WITH ¾" DRAIN ROCK, AND SHALL INCLUDE SECURED GRATE (COLOR: PURPLE). SEE CITY STANDARD DETAIL I-14 FOR TREE BUBBLER.

APPROVED \_\_\_\_\_

3/8/23

DRAFT

DATE

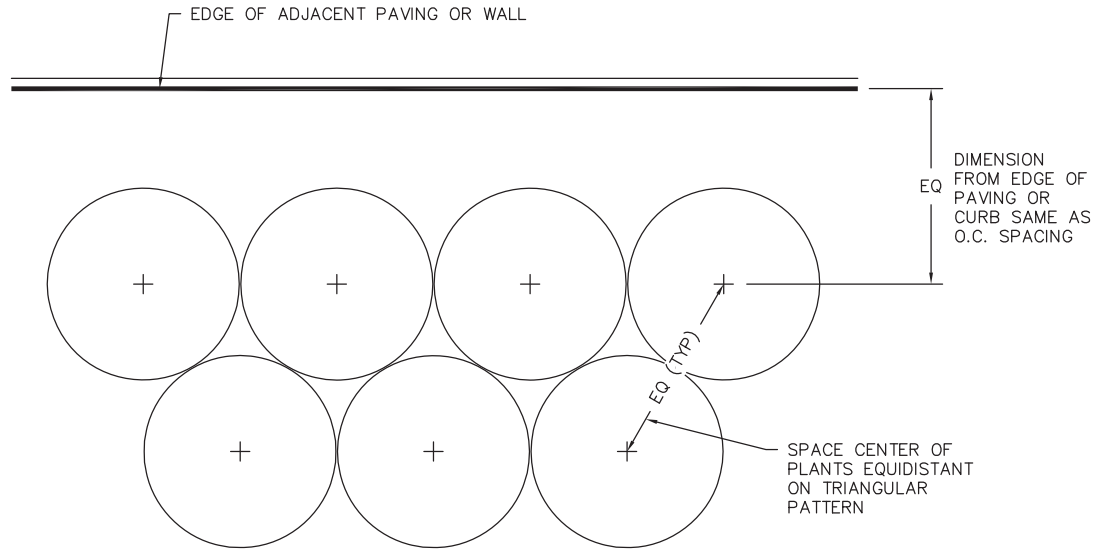


CITY OF PITTSBURGH

NO.	DATE	REVISION	DRAWN BY:
1	2019-01-11	NOTES 9&10, ADDED MULCH	ALA
			CHECKED BY: MK
			DATE: 2019-01-11
			SCALE: NTS

STANDARD DETAIL  
TREE PLANTING

SHEET 1 OF 1  
L-1



PLAN VIEW  
SCALE: NTS

NOTES

1. FOR MEDIANS, THE MATURE HEIGHT OF SHRUBS SHALL NOT EXCEED 4' RELATIVE TO THE GRADE OF PAVEMENT IN THE TRAVEL LANE.
2. MAINTAIN MINIMUM SIGN DISTANCE FOR CURB RETURNS AND MEDIANS.
3. SHRUBS SHALL BE LOCATED 3' MINIMUM AWAY FROM ROADSIDE SIGNS.

APPROVED \_\_\_\_\_

3/8/23

DATE

DRAFT



CITY OF  
PITTSBURGH

NO.	DATE	REVISION	DRAWN BY:	ALA
1	2019-01-11	NOTES 2&3	CHECKED BY:	MK
			DATE:	2019-01-11
			SCALE:	NTS

STANDARD DETAIL

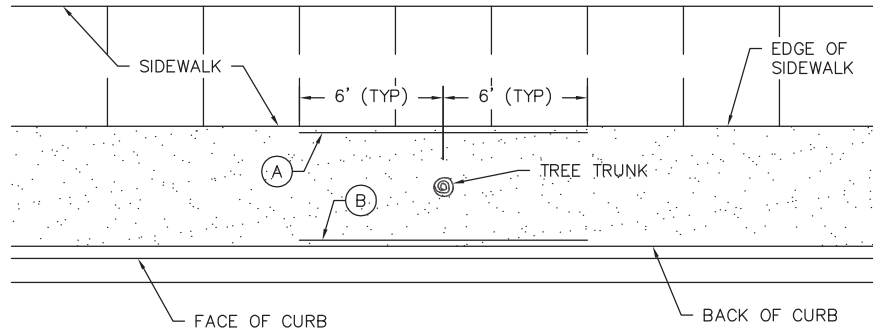
GROUNDCOVER & SHRUB SPACING

SHEET 1 OF 1

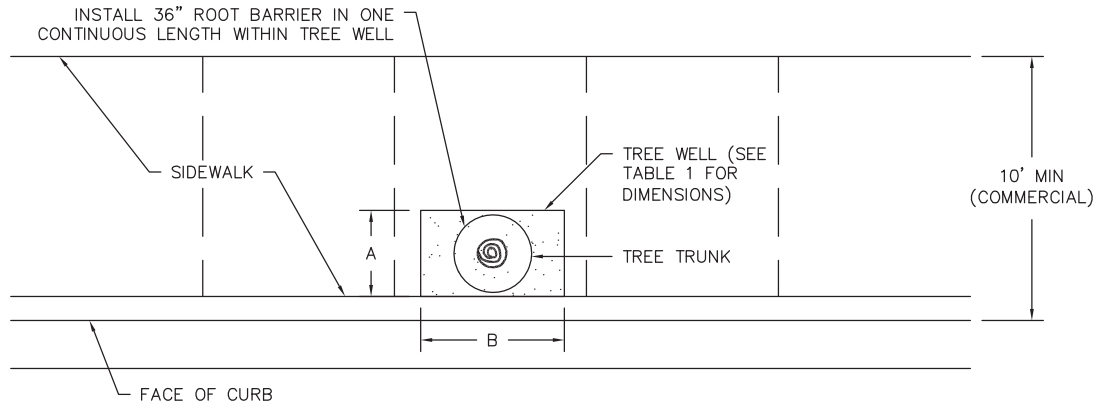
L-2

**LEGEND**

- (A) INSTALL 24" DEEP ROOT BARRIER AT EDGE OF SIDEWALK
- (B) INSTALL 36" DEEP ROOT BARRIER AT BACK OF CURB



**DETACHED SIDEWALK**  
PLAN VIEW



**MONOLITHIC CURB AND SIDEWALK**  
PLAN VIEW

	A	B
SMALL TREE	3'	3'
MEDIUM TREE	4'	4'
LARGE TREE	4'	6'

**NOTES**

1. ROOT BARRIERS SHALL BE REQUIRED FOR ALL TREES PLANTED WITHIN 5' OF HARDSCAPE.
2. 24" AND 36" ROOT BARRIER SHALL BE HIGH DENSITY AND HIGH IMPACT PLASTIC AS AVAILABLE FROM "DEEP ROOT," VESPRO, INC. OR EQUIVALENT AS APPROVED BY LANDSCAPE DIVISION OF PUBLIC WORKS DEPARTMENT.
3. TOP OF ROOT BARRIER SHALL BE SET 1/2" ± ABOVE FINISHED GRADE OF SOIL. HOWEVER, UNDER NO CIRCUMSTANCES SHALL THE TOP OF ROOT BARRIER EXTEND ABOVE ADJACENT CURB, SIDEWALK OR OTHER HARD SURFACING, AND SHALL BE INSTALLED IN ACCORDANCE WITH MANUFACTURER'S INSTRUCTIONS.
4. NO ADDITIONAL PLANTINGS IN TREE WELL.

APPROVED  DATE 3/8/23

DRAFT

 CITY OF PITTSBURGH	NO.	DATE	REVISION	DRAWN BY:	STANDARD DETAIL	SHEET 1 OF 1
	1	2019-01-11	TABLE 1	ALA		
				CHECKED BY: MK		
				DATE: 2019-01-11		
				SCALE: NTS	ROOT BARRIER	L-3

LARGE TREES					
Botanical Name	Common Name	Drought Tolerant	Not Recommended for Street	C.3	Utility-Friendly
<i>Cedrus deodara</i>	Deodar Cedar	*	*		
<i>Fraxinus uhdei</i>	Shamel Ash	*			
<i>Liriodendron tulipifera</i>	Tulip Tree	*	*		
<i>Liquidambar styraciflua</i>	Sweet Gum				
<i>Pinus canariensis</i>	Canary Island Pine	*			
<i>Pinus halepensis</i>	Aleppo Pine	*			
<i>Platanus acerifolia</i> 'Bloodgood' / 'Yarwood'	London Plane Tree	*			
<i>Platanus racemosa</i>	California Sycamore	*			
<i>Quercus agrifolia</i>	Coast Live Oak	*			
<i>Quercus lobata</i>	Valley Oak	*			
<i>Sequoia sempervirens</i>	Coast Redwood	*	*		
<i>Sequoiadendron giganteum</i>	Giant Sequoia	*	*		

MEDIUM TREES					
Botanical Name	Common Name	Drought Tolerant	Not Recommended for Street	C.3	Utility-Friendly
<i>Casuarina cunninghamiana</i>	River She-Oak	*			
<i>Celtis australis</i>	European Hackberry	*			
<i>Cinnamomum camphora</i>	Camphor Tree	*			
<i>Fraxinus angustifolia</i> 'Raywood'	Raywood Ash	*		*	
<i>Ginkgo biloba</i>	Maidenhair Tree	*			
<i>Koelreuteria paniculata</i>	Goldenrain Tree	*			
<i>Morus alba</i> 'Fruitless'	Fruitless Mulberry	*			
<i>Phoenix canariensis</i>	Canary Island Date Palm	*			
<i>Pinus eldarica</i>	Eldarica Pine	*			
<i>Pistacia chinensis</i>	Chinese Pistache	*			
<i>Quercus ilex</i>	Holly Oak	*			
<i>Quercus suber</i>	Cork Oak	*			
<i>Robinia ambigua</i> 'Idahoensis'	Idaho Locust	*			
<i>Salix babylonica</i>	Weeping Willow	*	*		
<i>Schinus molle</i>	California Pepper Tree	*	*		
<i>Washingtonia filifera</i>	California Fan Palm	*			

NOTES

- FOR LIST OF PLANTS WITH C.3 AREAS, SEE CONTRA COSTA CLEAN WATER PROGRAM STORMWATER C.3 GUIDEBOOK (LATEST EDITION), ATTACHMENT B-1 "PLANT RECOMMENDATIONS FOR BIORETENTION FACILITIES AND PLANTER BOXES".
- FOR LIST OF UTILITY-FRIENDLY TREES, SEE SELECTREE: UTILITY PRECAUTIONS AT <https://selectree.calpoly.edu/right-tree-right-place/utility-precautions>


APPROVED \_\_\_\_\_



3/8/23

DRAFT

DATE

 <p>CITY OF PITTSBURG</p>	NO.	DATE	REVISION	DRAWN BY:	<p>STANDARD DETAIL</p> <p>APPROVED PLANT LIST</p>	<p>SHEET 1 OF 6</p> <p>L-4</p>
	1	2019-01-11	NOTES 1&2	CHECKED BY: MK		
				DATE: 2019-01-11		
				SCALE: NONE		

SMALL TREES					
Botanical Name	Common Name	Drought Tolerant	Not Recommended for Street	C.3	Utility-Friendly
<i>Acacia baileyana</i>	Bailey Acacia	*			
<i>Aesculus californica</i>	California Buckeye	*			*
<i>Alnus cordata</i>	European Alder	*			*
<i>Callistemon citrinus</i>	Lemon Bottlebrush	*			
<i>Cercis canadensis</i>	Eastern Redbud				
<i>Cercis occidentalis</i>	Western Redbud	*		*	*
<i>Cotinus coggygia</i>	Smoke Tree	*		*	*
<i>Crataegus phaenopyrum</i>	Washington Hawthorn	*			
<i>Geijera parviflora</i>	Australian Willow	*			
<i>Gleditsia triacanthos inermis</i>	Thornless Honey Locust	*			
<i>Lagerstroemia indica</i>	Crepe Myrtle	*			*
<i>Malus species</i>	Flowering Crabapples	*			*
<i>Maytenus boaria</i>	Mayten Tree	*			
<i>Prunus cerasifera 'Atropurpurea'</i>	Purple-Leaf Cherry Plum	*			
<i>Pyrus calleryana 'Bradford'</i>	Bradford Pear	*			
<i>Pyrus kawakami</i>	Ornamental Pear	*			
<i>Rhus lancea</i>	African Sumac	*			

LARGE SHRUBS				
Botanical Name	Common Name	Drought Tolerant	Not Recommended for Street	C.3
<i>Arbutus unedo</i>	Strawberry Tree	*		
<i>Chaenomeles species</i>	Flowering Quince	*		
<i>Cotoneaster species</i>	Cotoneaster	*		
<i>Dodonea viscosa 'Purpurea'</i>	Hopseed Bush	*		
<i>Euryops pectinatus 'Viridis'</i>	Euryops Daisy	*		
<i>Fremontodendron californicum</i>	Common Flannel Bush	*		*
<i>Grevillea canberra</i>	Grevillea	*		
<i>Hakea suaveolens</i>	Sweet Hakea			
<i>Heteromeles arbutifolia</i>	Toyon	*		*
<i>Juniperus chinensis 'Torulosa'</i>	Hollywood Juniper	*		
<i>Leptospermum laevigatum</i>	Australian Tea Tree	*		
<i>Ligustrum japonicum</i>	Japanese Privet	*		
<i>Myrica californica</i>	Pacific Wax Myrtle	*		*
<i>Nerium oleander</i>	Oleander	*		
<i>Osmanthus fragrans</i>	Sweet Olive			
<i>Phormium tenax</i>	New Zealand Flax	*		
<i>Photinia fraseri</i>	Red Tipped Photinia	*		
<i>Photinia serrulata</i>	Chinese Photinia	*		
<i>Podocarpus macrophylla</i>	Yew Pine	*		
<i>Prunus lyonii</i>	Catalina Cherry			*
<i>Rhamnus californica</i>	Coffeeberry	*		*
<i>Viburnum tinus</i>	Laurustinus	*		
<i>Westringia rosmariniformis</i>	Westringia	*		
<i>Xylosma congestum</i>	Shiny Xylosma	*		

NOTES

- FOR LIST OF PLANTS WITH C.3 AREAS, SEE CONTRA COSTA CLEAN WATER PROGRAM STORMWATER C.3 GUIDEBOOK (LATEST EDITION), ATTACHMENT B-1 "PLANT RECOMMENDATIONS FOR BIORETENTION FACILITIES AND PLANTER BOXES".
- FOR LIST OF UTILITY-FRIENDLY TREES, SEE SELECTREE: UTILITY PRECAUTIONS AT <https://selectree.calpoly.edu/right-tree-right-place/utility-precautions>

APPROVED



3/8/23

DRAFT

DATE



CITY OF  
PITTSBURG

NO.	DATE	REVISION	DRAWN BY:
1	2019-01-11	NOTES 1&2	
			CHECKED BY: MK
			DATE: 2019-01-11
			SCALE: NONE

STANDARD DETAIL

APPROVED PLANT LIST

SHEET 2 OF 6

L-4

SMALL SHRUBS				
Botanical Name	Common Name	Drought Tolerant	Not Recommended for Street	C.3
<i>Abelia grandiflora</i> 'Edward Goucher'	Glossy Abelia	*		
<i>Berberis thunbergii</i> 'Atropurpurea'	Red Leaf Japanese Barberry	*		
Dwarf nerium	Dwarf Oleander "Petite Pink" and "Petite Salmon"	*		
<i>Feijoa sellowiana</i>	Pineapple Guava	*		
<i>Forsythia suspensa</i>	Weeping Forsythia			
<i>Grevillea noellii</i>	Grevillea	*		
<i>Juniperus horizontalis</i> 'Bar Harbor'	Bar Harbor Juniper	*		
<i>Juniperus horizontalis</i> 'Wiltonii'	Blue Carpet Juniper	*		
<i>Mahonia aquifolium</i>	Oregon Grape	*		
<i>Nandina domestica</i>	Nandina (Compacta And Gulf Stream)	*		*
<i>Pittosporum tobira</i> 'Variegata'	Variegated Pittosporum	*		
<i>Pittosporum tobira</i> 'Wheeleri'	Wheeler's Dwarf Pittosporum	*		
<i>Plumbago capensis</i>	Cape Plumbago	*		
<i>Pyracantha coccinea</i> 'Santa Cruz'	Firethorn	*		
<i>Raphiolepis indica</i>	India Hawthorne	*		
Rosa	Carpet Roses (Rosey Carpet, Pink Bells, Essex, Red Meidiland, etc.)	*		
<i>Rosmarinus officinalis</i>	Rosemary (Arp, Blue Boy, etc.)	*		*
<i>Sollya heterophylla</i>	Australian Bluebell Creeper	*		
<i>Tulbaghia violacea</i>	Society Garlic	*		

VINES				
Botanical Name	Common Name	Drought Tolerant	Not Recommended for Street	C.3
<i>Bougainvillea species</i>	Bougainvillea	*		
<i>Campsis radicans</i>	Trumpet Creeper			
<i>Distictis buccinatoria</i>	Blood Red Trumpet Vine			
<i>Ficus pumila</i>	Creeping Fig	*		
<i>Gelsemium sempervirens</i>	Carolina Jasmine	*		
<i>Jasminum polyanthum</i>	Pink Jasmine	*		
<i>Lonicera japonica</i> 'Halliana'	Halls Honeysuckle	*		
<i>Macfadyena unguis-cati</i>	Cat's Claw	*		
<i>Passiflora alata</i> caerulea	Passion Flower	*		
<i>Rosa banksiae</i>	Lady Banks Rose	*		
<i>Wisteria sinensis</i>	Chinese Wisteria	*		
<i>Hardenbergia violacea</i>	Lilac Vine	*		

NOTES

- FOR LIST OF PLANTS WITH C.3 AREAS, SEE CONTRA COSTA CLEAN WATER PROGRAM STORMWATER C.3 GUIDEBOOK (LATEST EDITION), ATTACHMENT B-1 "PLANT RECOMMENDATIONS FOR BIORETENTION FACILITIES AND PLANTER BOXES".

APPROVED



3/8/23

DRAFT

DATE



CITY OF  
PITTSBURG

NO.	DATE	REVISION	DRAWN BY:
1	2019-01-11	NOTE 1	
			CHECKED BY: MK
			DATE: 2019-01-11
			SCALE: NONE

STANDARD DETAIL

APPROVED PLANT LIST

SHEET 3 OF 6

L-4

GROUND COVER				
Botanical Name	Common Name	Drought Tolerant	Not Recommended for Street	C.3
Acacia redolens	Prostrate Acacia	*		
Ajuga reptans	Carpet Bugle			
Arctostaphylos species	Manzanita	*		*
Asparagus densiflorus 'Sprenger'	Sprenger Asparagus	*		
Carpobrotus / Delosperma / Lampranthus / Drosanthemum / Mesembryanthemum	Ice Plant	*		
Ceanothus species	Wild Lilac	*		*
Cerastium tomentosum	Snow-In-Summer	*		
Coprosma kirkii	Coprosma	*		
Gazania leucolana	Gazania (Trailing & Clumping)	*		*
Hedera helix	English Ivy	*		
Hypericum calycinium	St. Johns Wort	*		
Lantana montevidensis	Lantana	*		
Myoporum parvifolium 'Prostratum'	Prostrate Myoporum	*		
Oenothera berlandieri	Mexican Evening Primrose	*		
Osteospermum fruticosum	Trailing African Daisy	*		
Pelargonium peltatum	Ivy Geranium			
Rosmarinus officinalis	Rosemary	*		*
Trachelospermum jasminoides	Star Jasmine			
Verbena species	Verbena	*		
Vinca major	Big Leaf Periwinkle	*		
Vinca minor	Little Leaf Periwinkle	*		

NOTES

1. FOR LIST OF PLANTS WITH C.3 AREAS, SEE CONTRA COSTA CLEAN WATER PROGRAM STORMWATER C.3 GUIDEBOOK (LATEST EDITION), ATTACHMENT B-1 "PLANT RECOMMENDATIONS FOR BIORETENTION FACILITIES AND PLANTER BOXES".


APPROVED



3/8/23

DRAFT

DATE

 <p>CITY OF PITTSBURG</p>	NO.	DATE	REVISION	DRAWN BY:	<p>STANDARD DETAIL</p> <p>APPROVED PLANT LIST</p>	<p>SHEET 4 OF 6</p> <p>L-4</p>
	1	2019-01-11	NOTE 1	CHECKED BY: MK		
				DATE: 2019-01-11		
				SCALE: NONE		

PERENNIALS				
Botanical Name	Common Name	Drought Tolerant	Not Recommended for Street	C.3
<i>Achillea millefolium</i>	Common Yarrow	*		*
<i>Agapanthus</i> species	Lily-of-the-Nile	*		
<i>Canna</i> lily	Canna Lily			
<i>Chrysanthemum maximum</i>	Shasta Daisy	*		
<i>Chrysanthemum frutescens</i>	Marguerite Daisy	*		
<i>Coreopsis lanceolata</i>	Coreopsis			
<i>Dietes</i> species	Fortnight Lily	*		
<i>Felicia amelloides</i>	Blue Marguerite	*		
<i>Hemerocallis</i> species	Daylilies	*		
<i>Iberis sempervirens</i>	Evergreen Candytuft	*		
<i>Kniphofia uvaria</i>	Red Hot Poker	*		
<i>Lavandula</i> species	Lavender	*		*
<i>Limonium perezii</i>	Sea Lavender	*		
<i>Liriope muscari</i>	Big Blue Lily Turf			
<i>Pelargonium hortorum</i>	Common Geranium	*		
<i>Petunia hybrida</i>	Petunia			
<i>Romneya coulteri</i>	Matilija Poppy	*		
<i>Salvia</i> species	Sage	*		
<i>Senecio cineraria</i>	Dusty Miller	*		
<i>Viola</i> species	Pansy			
<i>Zantedeschia aethiopica</i>	Common Calla Lily			

NOTES

1. FOR LIST OF PLANTS WITH C.3 AREAS, SEE CONTRA COSTA CLEAN WATER PROGRAM STORMWATER C.3 GUIDEBOOK (LATEST EDITION), ATTACHMENT B-1 "PLANT RECOMMENDATIONS FOR BIORETENTION FACILITIES AND PLANTER BOXES".


APPROVED



3/8/23

DATE

DRAFT

 CITY OF PITTSBURG	NO.	DATE	REVISION	DRAWN BY:	STANDARD DETAIL  APPROVED PLANT LIST	SHEET 5 OF 6  L-4
	1	2019-01-11	NOTE 1	CHECKED BY: MK		
				DATE: 2019-01-11		
				SCALE: NONE		



MEDIAN TREES	
Botanical Name	Common Name
Lagerstroemia indica	Crape Myrtle
Pyrus calleryana 'Bradford'	Bradford Pear
Pyrus calleryana 'Aristocrat'	Aristocrat Pear
Pinus canariensis	Canary Island Pine

MEDIAN VINES	
Botanical Name	Common Name
Parthenocissus tricuspidata	Boston Ivy
Ficus pumila	Fig Vine

MEDIAN SHRUBS	
Botanical Name	Common Name
Nandina	Gulf Stream Nandina
Pittosporum	Compact Pittosporum
Oleander	Petite Oleander
Rosa	Carpet Rose
Hemerocallis	Dwarf Daylily
Hemerocallis	Regular Daylily
Tulbaghia	Society Garlic

MEDIAN GROUND COVER	
Botanical Name	Common Name
Lantana montevidensis	Lantana
Trachelospermum jasminoides	Star Jasmine
Verbena species	Verbena
Gazania leucolana	Gazania
Osteopermum fruticosum	Trailing African Daisy

NOTES

1. FOR LIST OF PLANTS WITH C.3 AREAS, SEE CONTRA COSTA CLEAN WATER PROGRAM STORMWATER C.3 GUIDEBOOK (LATEST EDITION), ATTACHMENT B-1 "PLANT RECOMMENDATIONS FOR BIORETENTION FACILITIES AND PLANTER BOXES".
2. FOR MEDIANS, THE MATURE HEIGHT OF SHRUBS SHALL NOT EXCEED 4' RELATIVE TO THE GRADE OF PAVEMENT IN THE TRAVEL LANE.

APPROVED \_\_\_\_\_



3/8/23

DATE

DRAFT



CITY OF  
PITTSBURGH

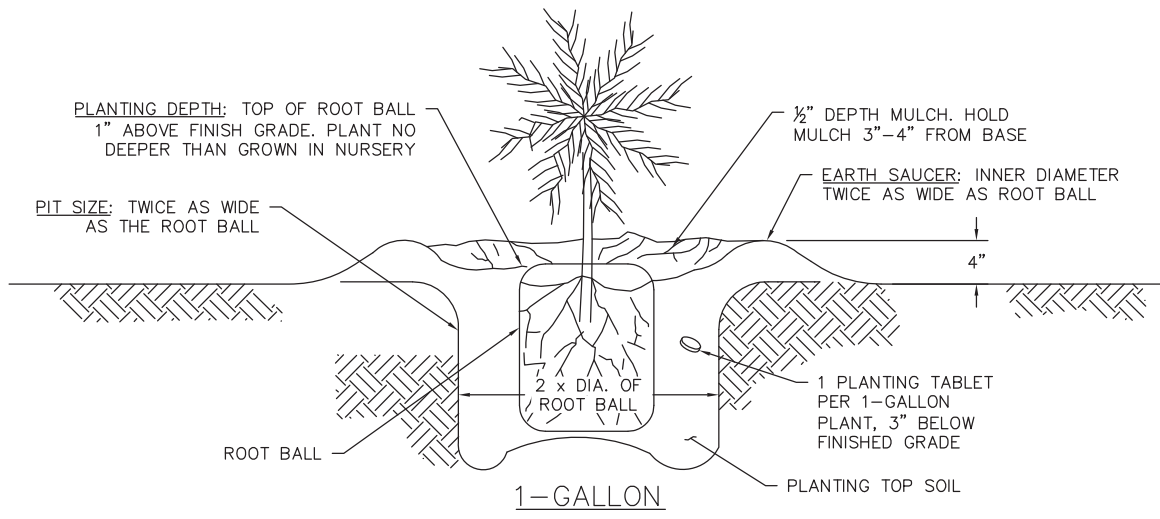
NO.	DATE	REVISION	DRAWN BY:
1	2019-01-11	NOTES 1&2	
			CHECKED BY: MK
			DATE: 2019-01-11
			SCALE: NONE

STANDARD DETAIL

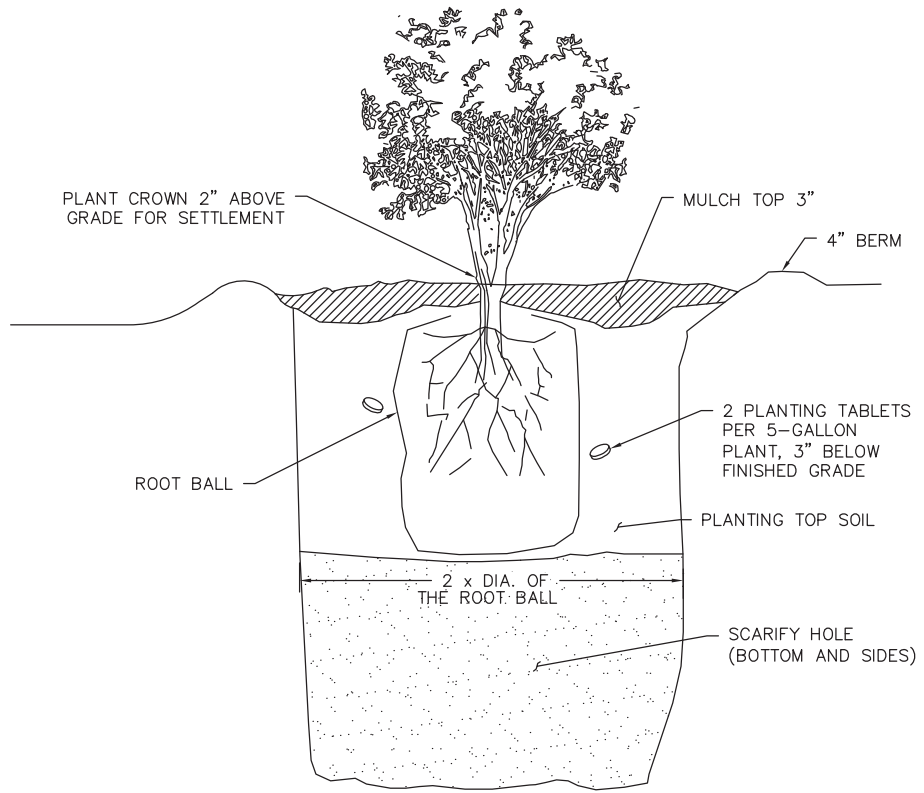
APPROVED PLANT LIST

SHEET 6 OF 6

L-4



1-GALLON



2-GALLON

**NOTES**

1. BACKFILL WITH PLANTING TOP SOIL.
2. PLANTER AREA SHALL HAVE PRE-EMERGENT HERBICIDE APPLIED BEFORE PLANTING TO PREVENT GERMINATION OF WEED SEEDS.

APPROVED 

DATE 3/8/23

DRAFT

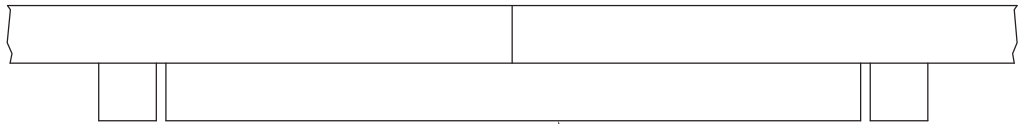


NO.	DATE	REVISION

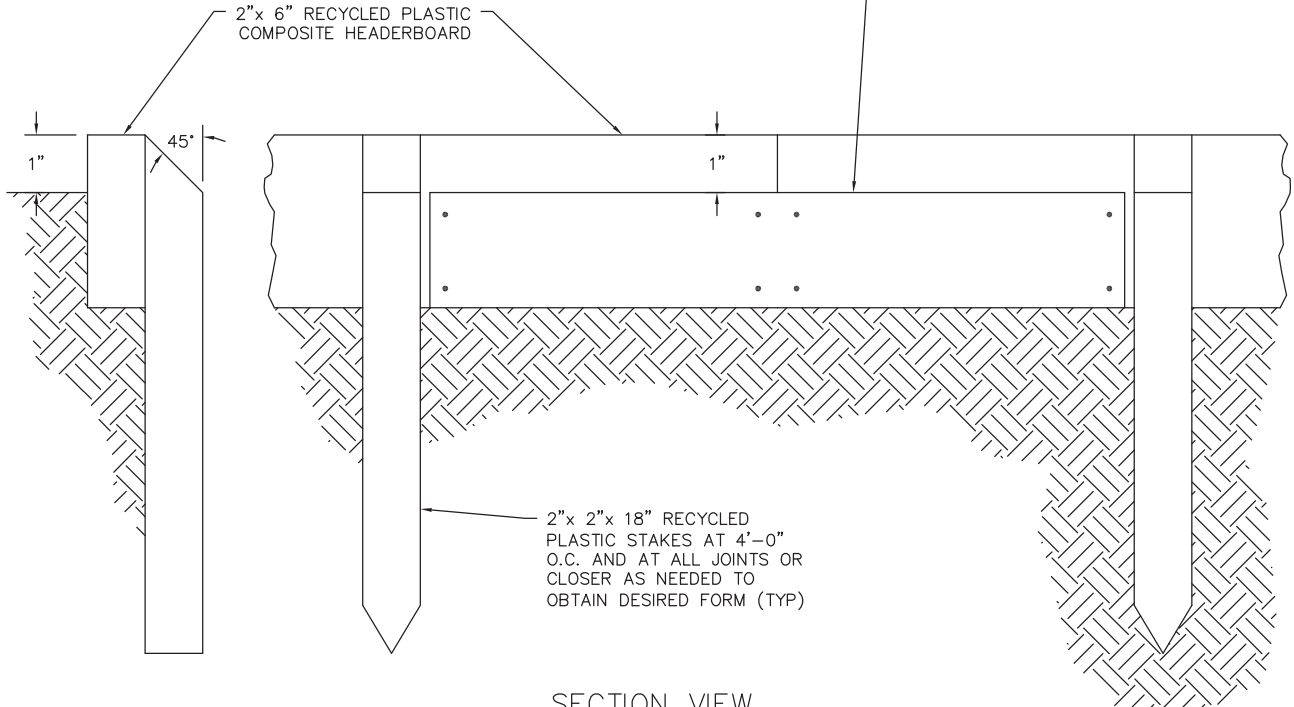
DRAWN BY:	ALA
CHECKED BY:	MK
DATE:	2019-01-11
SCALE:	NTS

STANDARD DETAIL  
SHRUB PLANTING

SHEET 1 OF 1  
L-5



PLAN VIEW  
SCALE: NTS



SECTION VIEW  
SCALE: NTS

NOTES

1. INSTALL ALL STAKES AND SPLICES ON PLANTING SIDE OF HEADERBOARD.
2. FASTEN HEADERBOARD WITH HOT DIP GALVANIZED DECK SCREWS.

APPROVED

3/8/23

DATE

DRAFT



CITY OF  
PITTSBURG

NO.	DATE	REVISION
1	2019-01-11	REPLACED REDWOOD

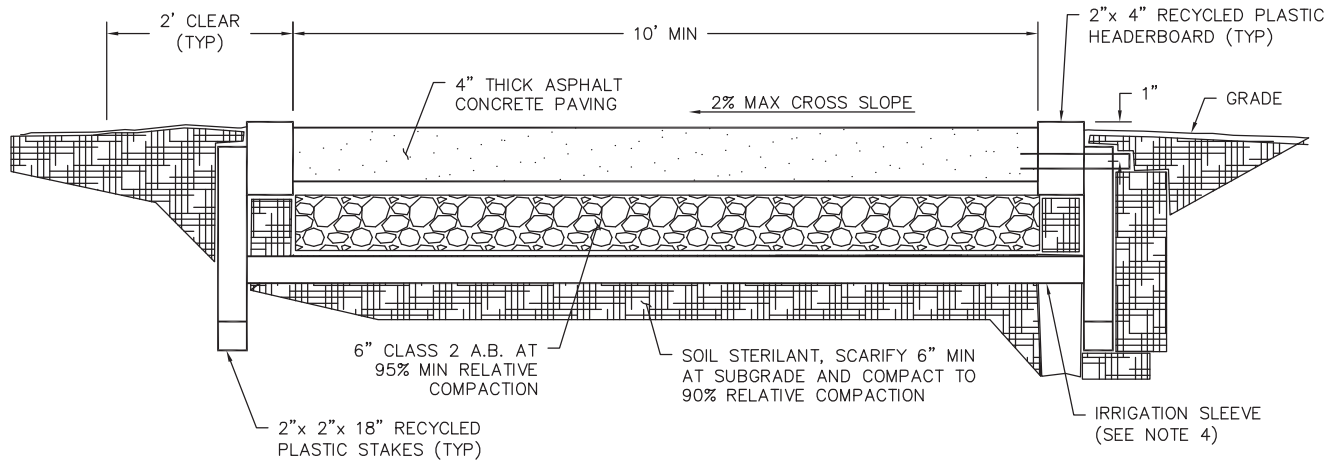
DRAWN BY:	ALA
CHECKED BY:	MK
DATE:	2019-01-11
SCALE:	NTS

STANDARD DETAIL

HEADERBOARD ON PLANTING AREAS

SHEET 1 OF 1

L-6



SECTION VIEW  
SCALE: NTS

NOTES


1. ALL SCREWS SHALL BE HOT DIP GALVANIZED.
2. THE USE OF RECYCLED AGGREGATE BASE SHALL NOT BE ALLOWED.
3. IRRIGATION SLEEVES SHALL BE CENTERED BETWEEN CONCRETE SECTION JOINTS.

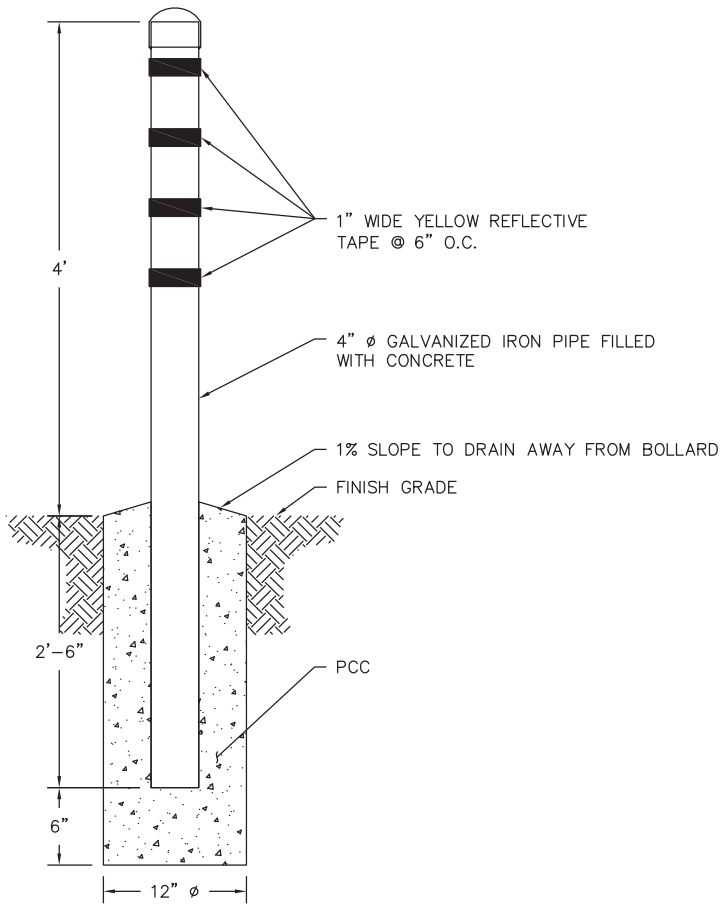
APPROVED

3/8/23

DRAFT

DATE

 CITY OF PITTSBURG	NO.	DATE	REVISION	DRAWN BY: ALA	STANDARD DETAIL  ASPHALT CONCRETE WALK	SHEET 1 OF 1  L-7
	1	2019-01-11	REPLACED REDWOOD ADDED SLEEVE	CHECKED BY: MK		
				DATE: 2019-01-11		
				SCALE: NTS		



SECTION VIEW  
SCALE: NTS

NOTES

1. LOCATE ALL UNDERGROUND UTILITIES PRIOR TO EXCAVATING POST FOOTING.
2. PRIME ALL METAL WITH ONE COAT OF GALVANIZE-COMPATIBLE PRIMER AND TWO COATS OF WHITE INDUSTRIAL ENAMEL.
3. APPLY TWO 3" WIDE STRIPS OF REFLECTORIZED YELLOW TAPE. PROVIDE A 3" GAP BETWEEN EACH STRIP.
4. THESE DETAILS SHALL BE USED IN CONJUNCTION WITH ALL THE CITY STANDARD DETAILS AND SPECIFICATIONS. REFER TO THE CITY STANDARD SPECIFICATIONS FOR THE MATERIALS, INSTALLATION, TESTING, PROTECTIVE COATINGS, AND OTHER REQUIREMENTS.

APPROVED

3/8/23

DRAFT

DATE

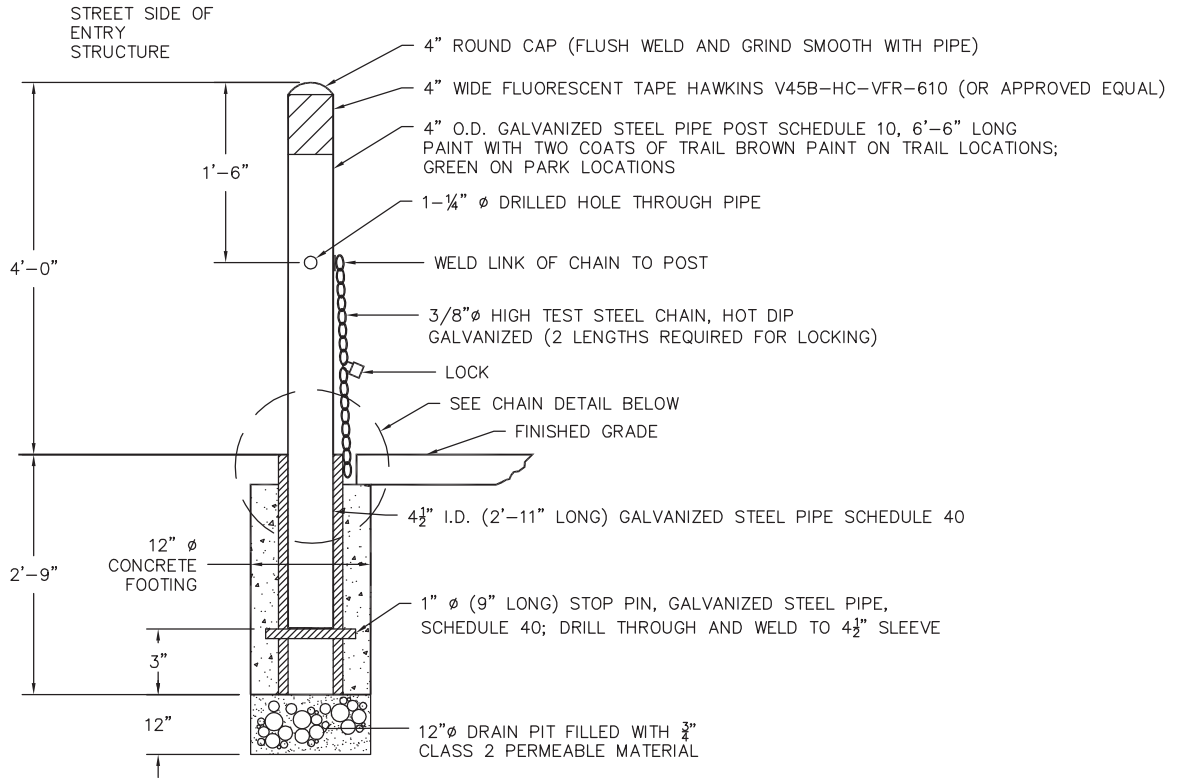


CITY OF  
PITTSBURG

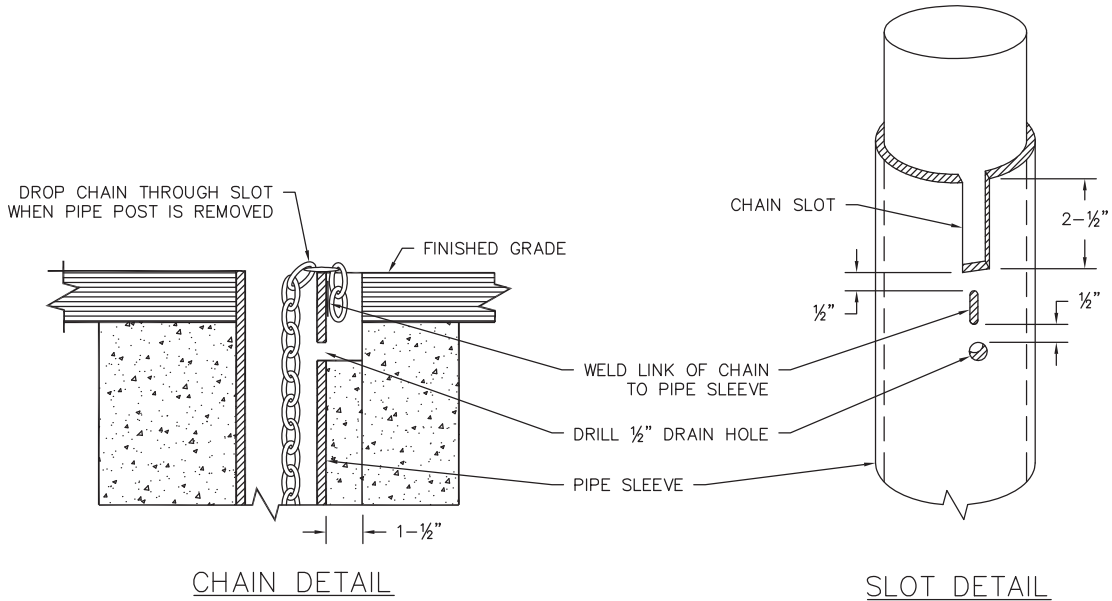
NO.	DATE	REVISION	DRAWN BY:	AW
			CHECKED BY:	MK
			DATE:	2019-01-11
			SCALE:	NTS

STANDARD DETAIL  
FIXED BOLLARD

SHEET 1 OF 3  
L-8



SECTION VIEW  
SCALE: NTS



CHAIN DETAIL

SLOT DETAIL

NOTES

1. CHAIN LINK CHAIN AND SLOT SHALL BE INSTALLED PARALLEL TO CENTERLINE OF TRAIL.

APPROVED

3/8/23

DRAFT

DATE



CITY OF  
PITTSBURGH

NO.	DATE	REVISION	DRAWN BY:
1	2019-01-11	4" DIA PIPE	ALA
			CHECKED BY: MK
			DATE: 2019-01-11
			SCALE: NTS

STANDARD DETAIL

REMOVABLE METAL BOLLARD

SHEET 2 OF 3

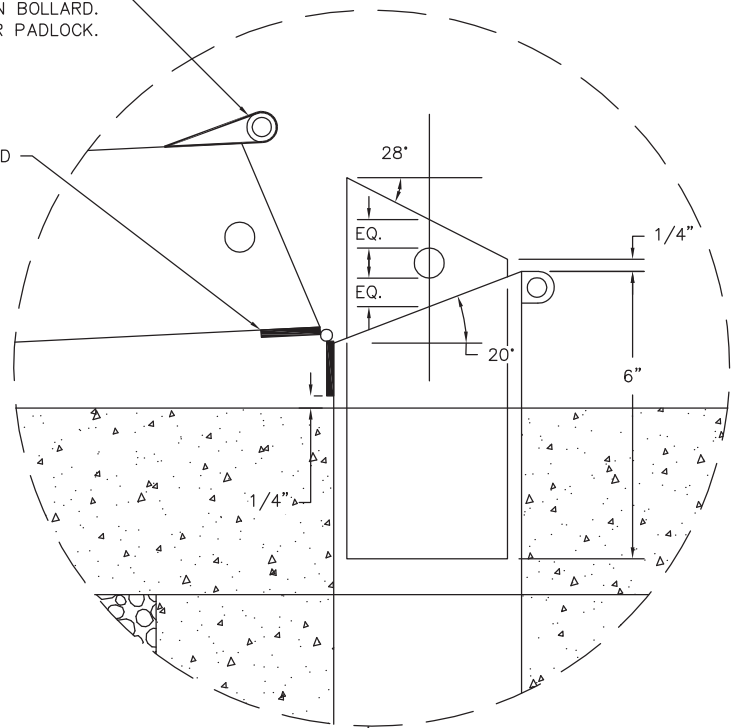
L-8

1/4" PLATE STEEL TABS, WELD CONTINUOUS. CENTER ON BOLLARD. PROVIDE 3/8" DIA. HOLE FOR PADLOCK.

STEEL HINGE - BUTT WELD

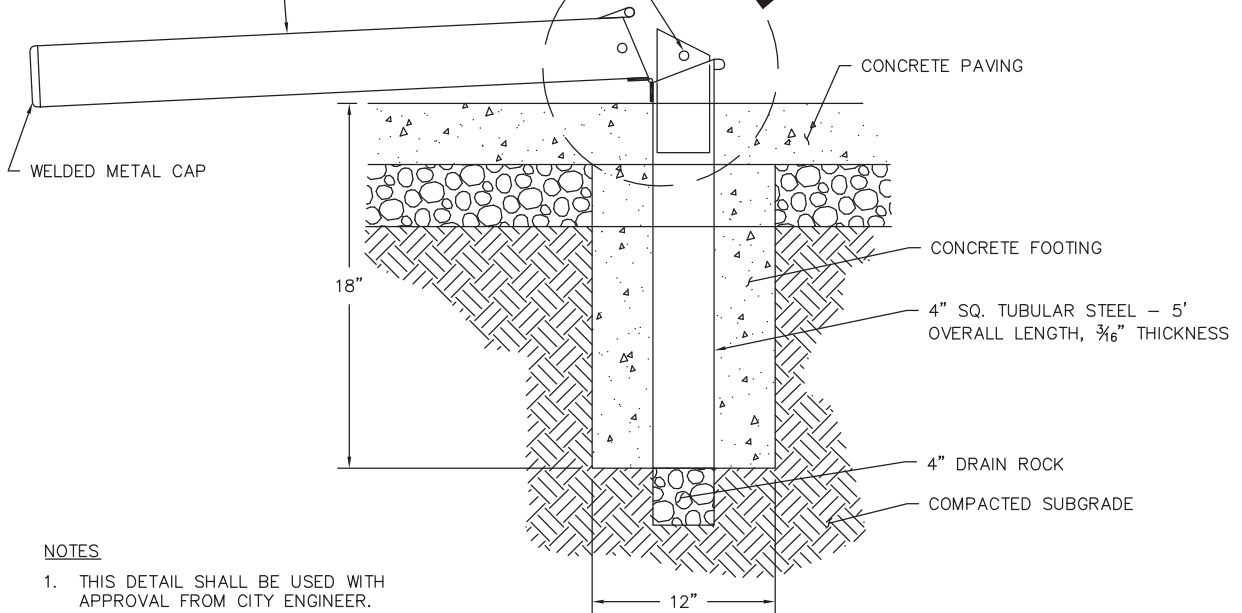
NOTE:

BOLLARD FINISH TO BE POWDER COAT, COLOR GREEN TO MATCH PLAY EQUIPMENT POSTS. SUBMIT SAMPLE OF COLOR TO ENGINEER FOR APPROVAL.



3/4" DIA. HOLE FOR BOLT - THROUGH

4" SQ. TUBULAR STEEL - 5' OVERALL LENGTH, 3/16" THICKNESS



NOTES

1. THIS DETAIL SHALL BE USED WITH APPROVAL FROM CITY ENGINEER.

APPROVED

3/8/23

DRAFT

DATE



CITY OF PITTSBURGH

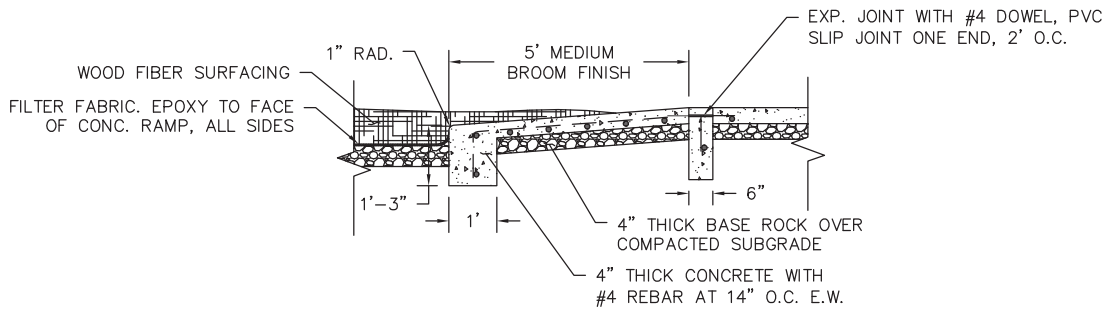
NO.	DATE	REVISION	DRAWN BY:	ALA
			CHECKED BY:	MK
			DATE:	2019-01-11
			SCALE:	NTS

STANDARD DETAIL

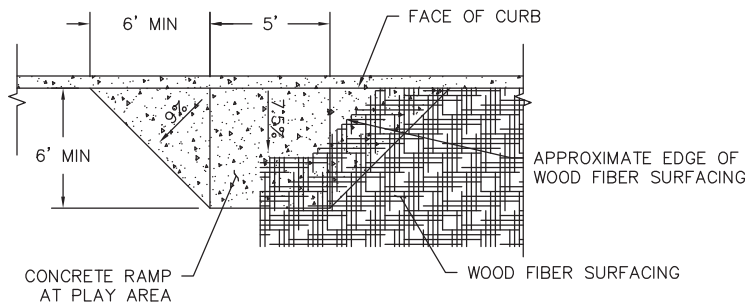
DRIVEWAY BOLLARD

SHEET 3 OF 3

L-8



PLAY AREA RAMP  
 SECTION VIEW



PLAY AREA RAMP  
 PLAN VIEW

NOTES

1. SEE SHEET 2 FOR PLAY AREA CURB AND SURFACING DETAILS.

APPROVED 

3/8/23

DRAFT

DATE



CITY OF PITTSBURGH

NO.	DATE	REVISION	DRAWN BY:
1	2019-01-11	MAX SLOPES	ALA
			CHECKED BY: MK
			DATE: 2019-01-11
			SCALE: NTS

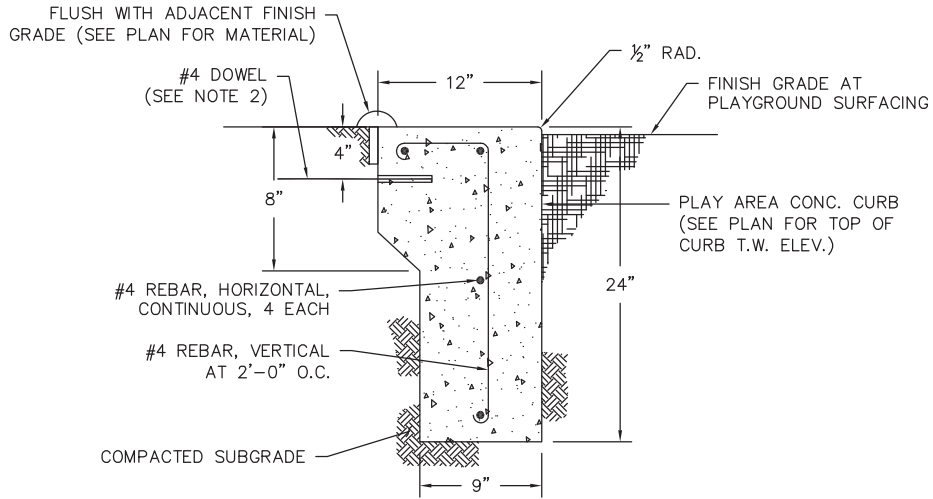
STANDARD DETAIL

PLAY AREA RAMP

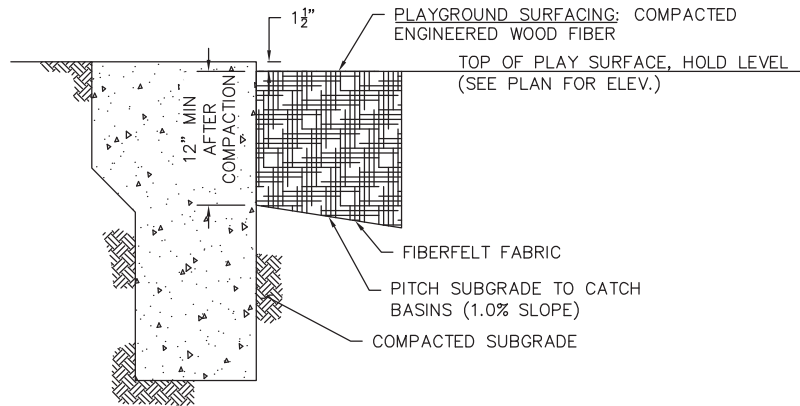
SHEET 1 OF 2

L-9





PLAY AREA CURB  
SECTION VIEW



PLAY AREA SURFACING  
ENGINEERED WOOD FIBER

NOTES

1. SEE SHEET 1 FOR PLAY AREA RAMP DETAILS.
2. AT INTERSECTION WITH CONC. PAVING: PROVIDE #4 BAR x 12" LENGTH DOWEL (SLEEVE ONE END) AT 24" O.C.
3. ENGINEERED WOOD FIBER: INSTALL 16" MIN. DEPTH TO COMPACT TO 12" MIN. DEPTH. FINISH GRADE OF WOOD FIBER TO BE WITHIN 1.5" OF TOP OF CURB.
4. PROVIDE FIBERMAT RUBBER MAT UNDER EACH SWING. SLIDE EXIT AND SLIDING POLE.

APPROVED

3/8/23

DRAFT

DATE



CITY OF  
PITTSBURGH

NO.	DATE	REVISION	DRAWN BY:	ALA
			CHECKED BY:	MK
			DATE:	2019-01-11
			SCALE:	NTS

STANDARD DETAIL

PLAY AREA CURB AND SURFACING

SHEET 2 OF 2

L-9