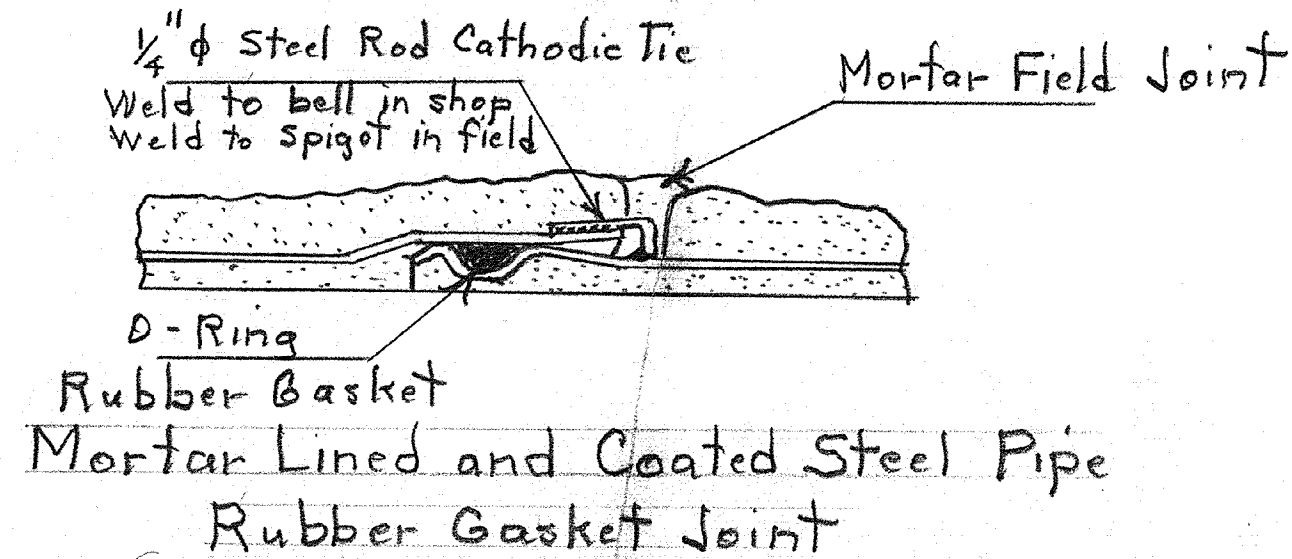
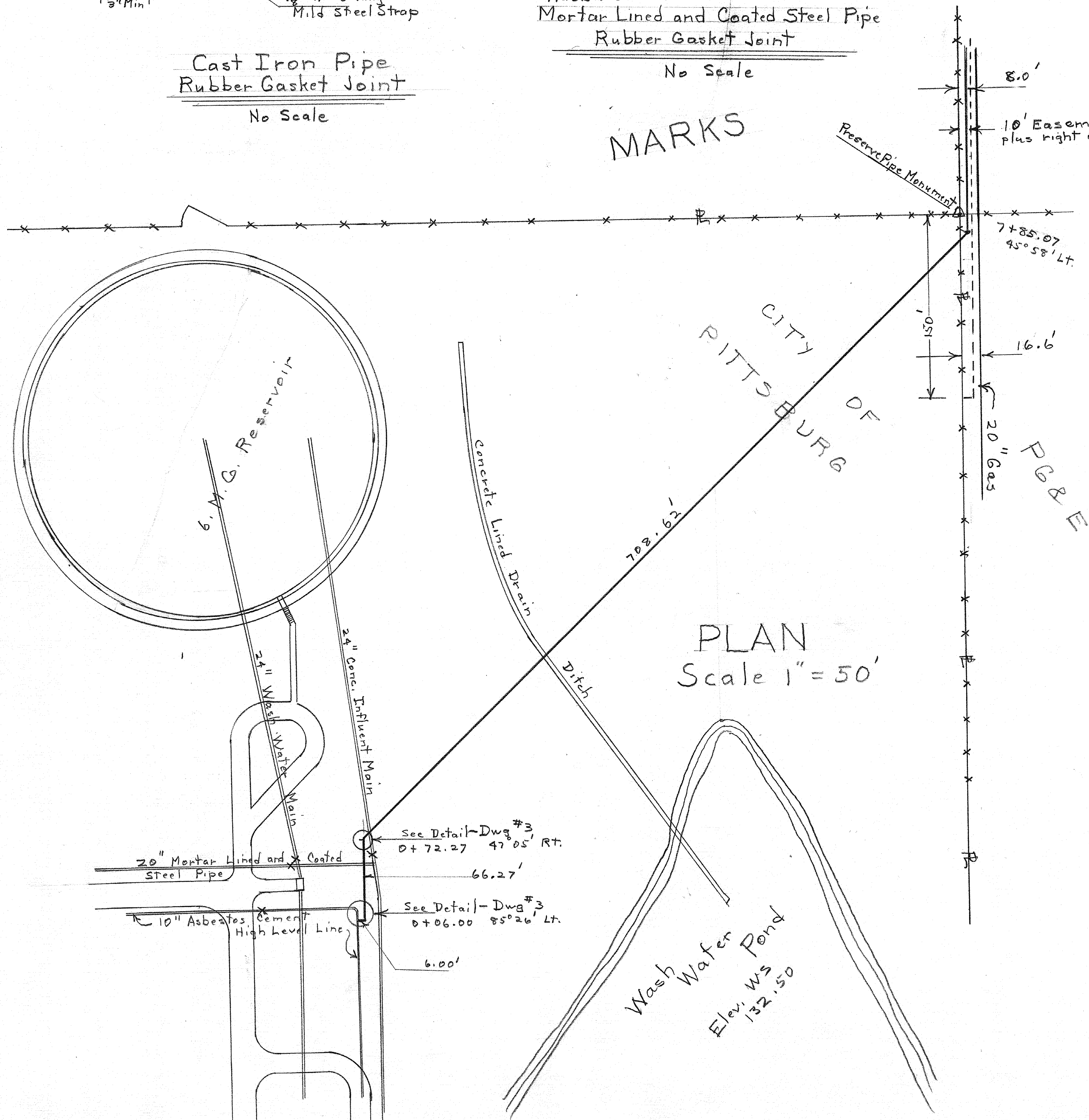


Cast Iron Pipe  
Rubber Gasket Joint  
No Scale



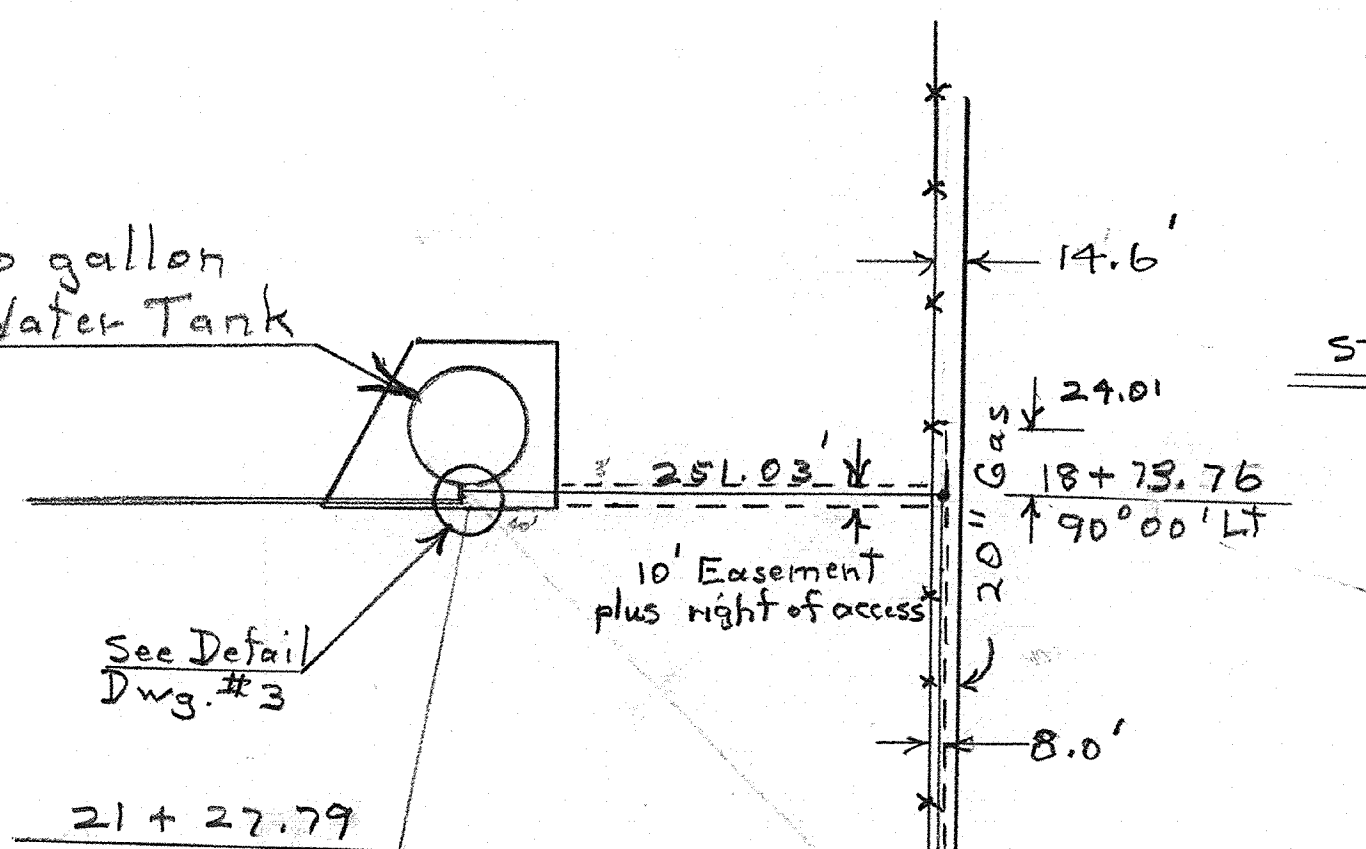
No Scale

MARKS



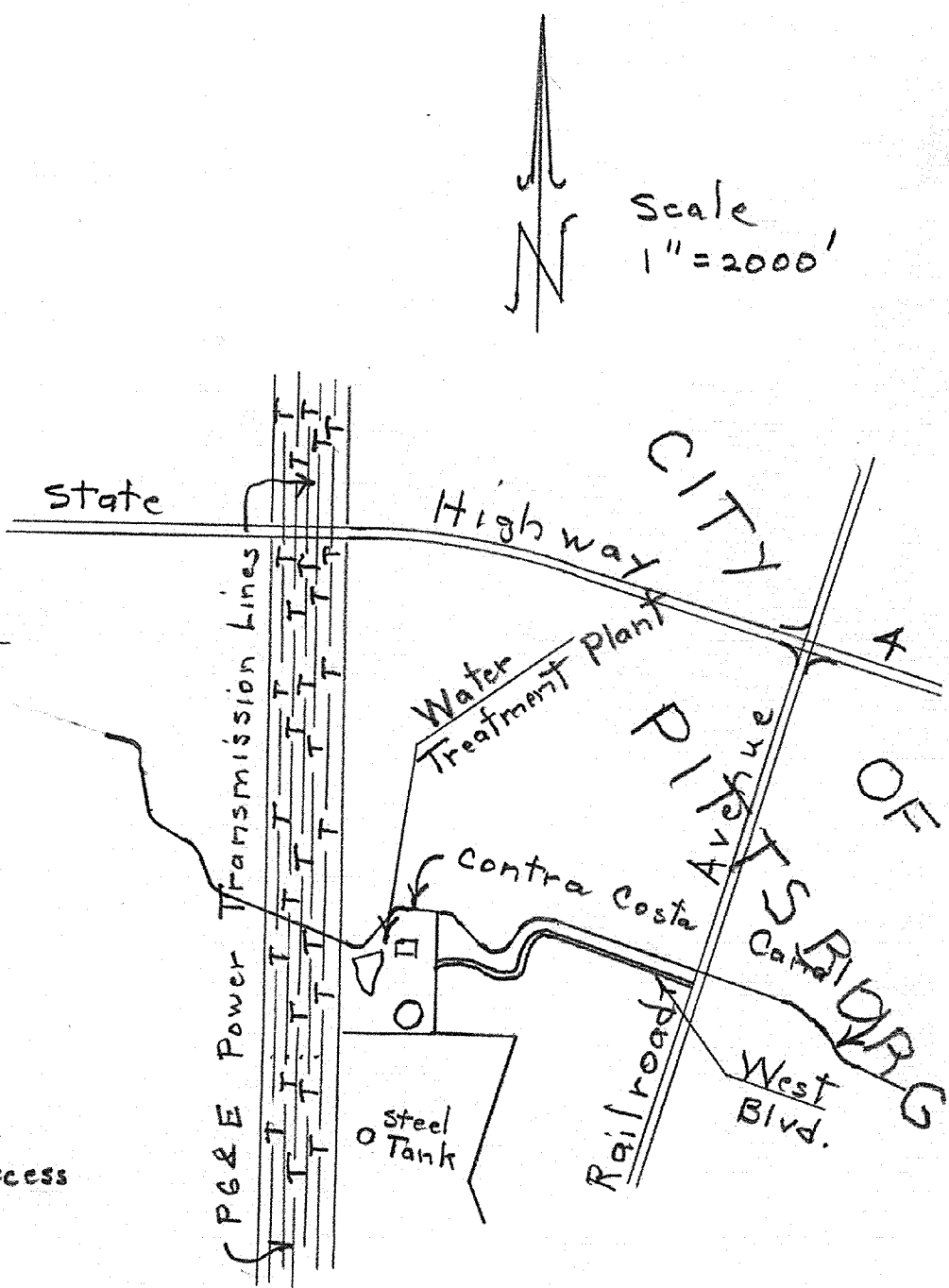
PLAN  
Scale 1" = 50'

170,000 gallon  
Steel Water Tank



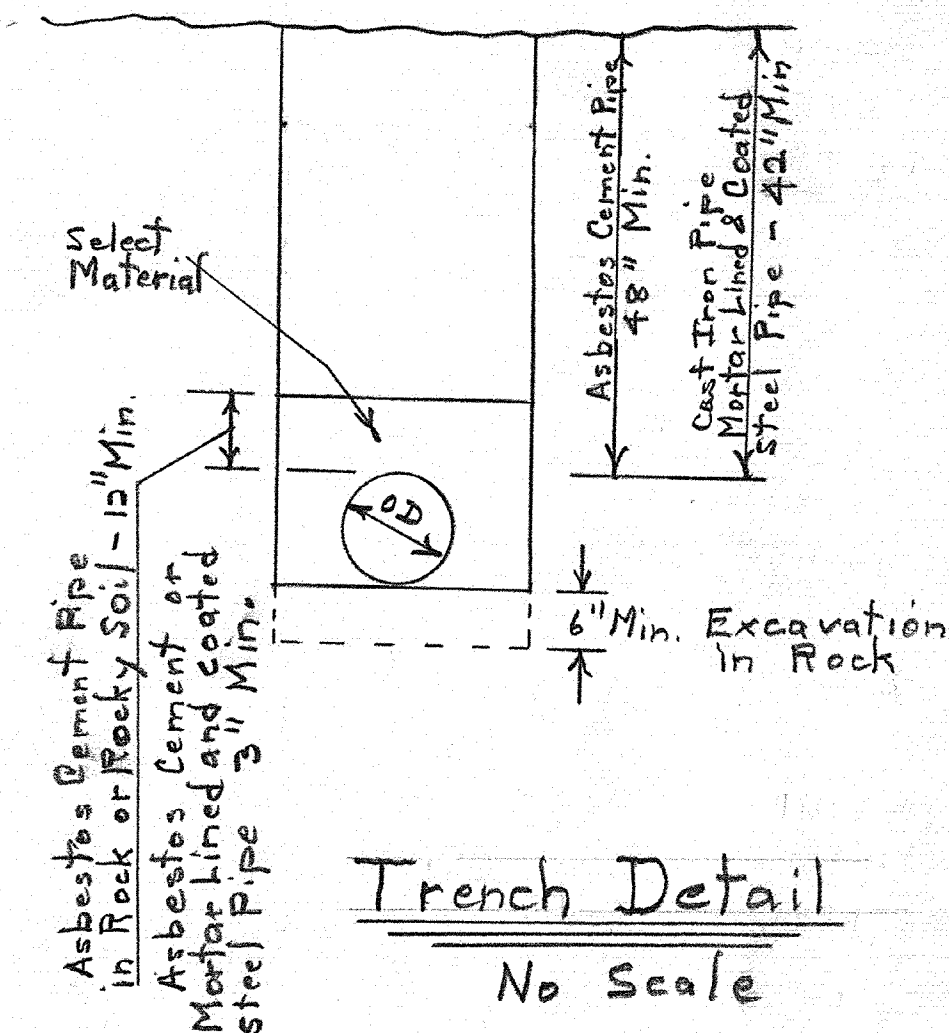
MARKS

PLAN  
Scale 1" = 100'



Location Map  
Scale 1" = 2000'

Change size  
at nearest joint

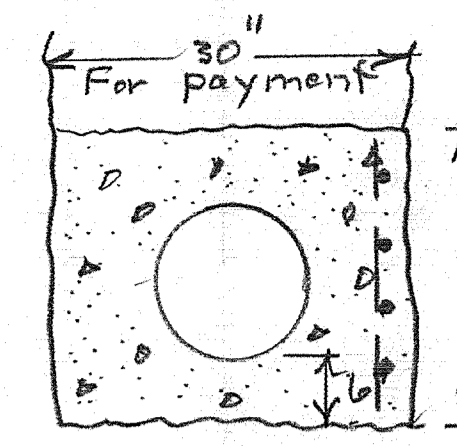


Trench Detail  
No Scale

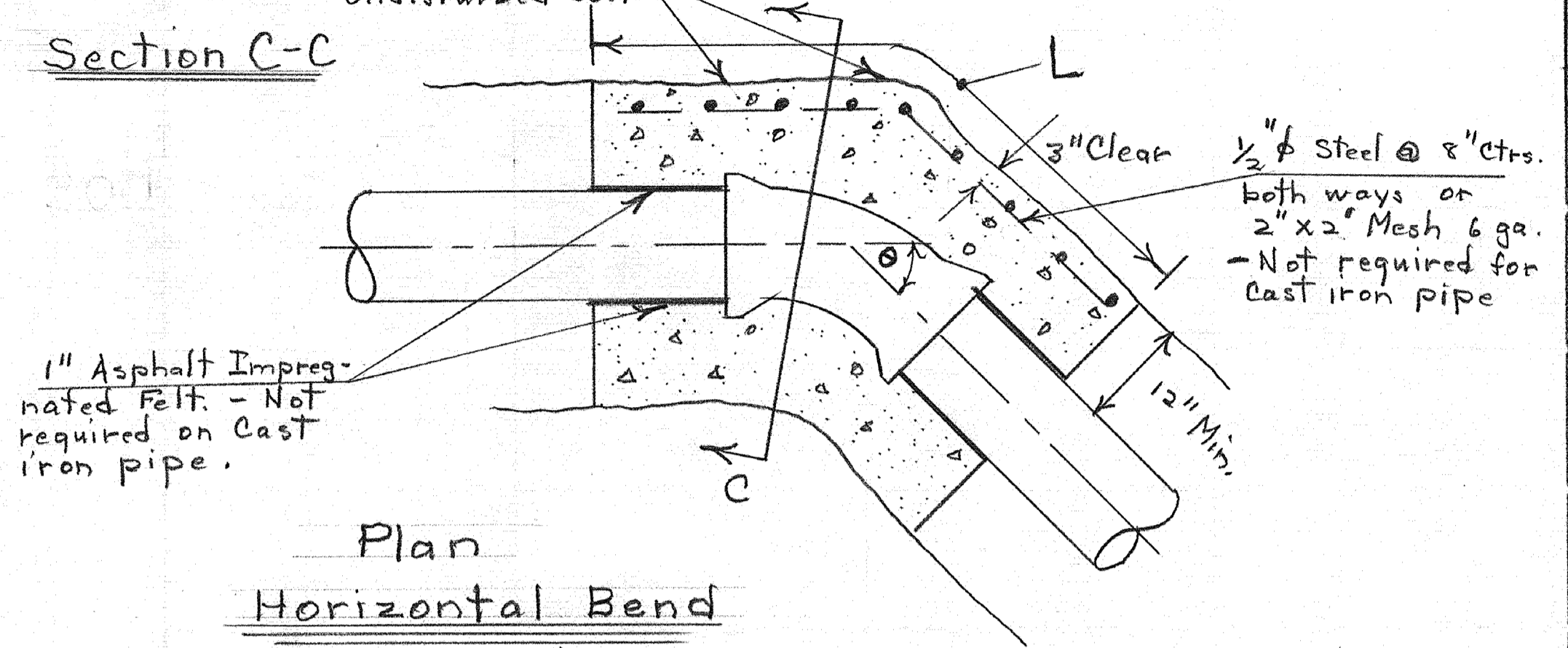
William G. Dunn  
William G. Dunn  
Consulting Engineer  
Cupertino, Calif.  
RCE # 8641

CITY OF PITTSBURG PUBLIC WORKS DEPARTMENT ENGINEERING DIVISION CITY ENGINEER'S OFFICE-CITY HALL PITTSBURG, CALIFORNIA		
SCALE: As Shown	APPROVED BY: Maurin Anaya	DRAWN BY: WGD
DATE: Jun 1969		REVISED:
12" and 14" Water Transmission Main from Water Treatment Plant to 170,000-gal Vicinity Map & P		

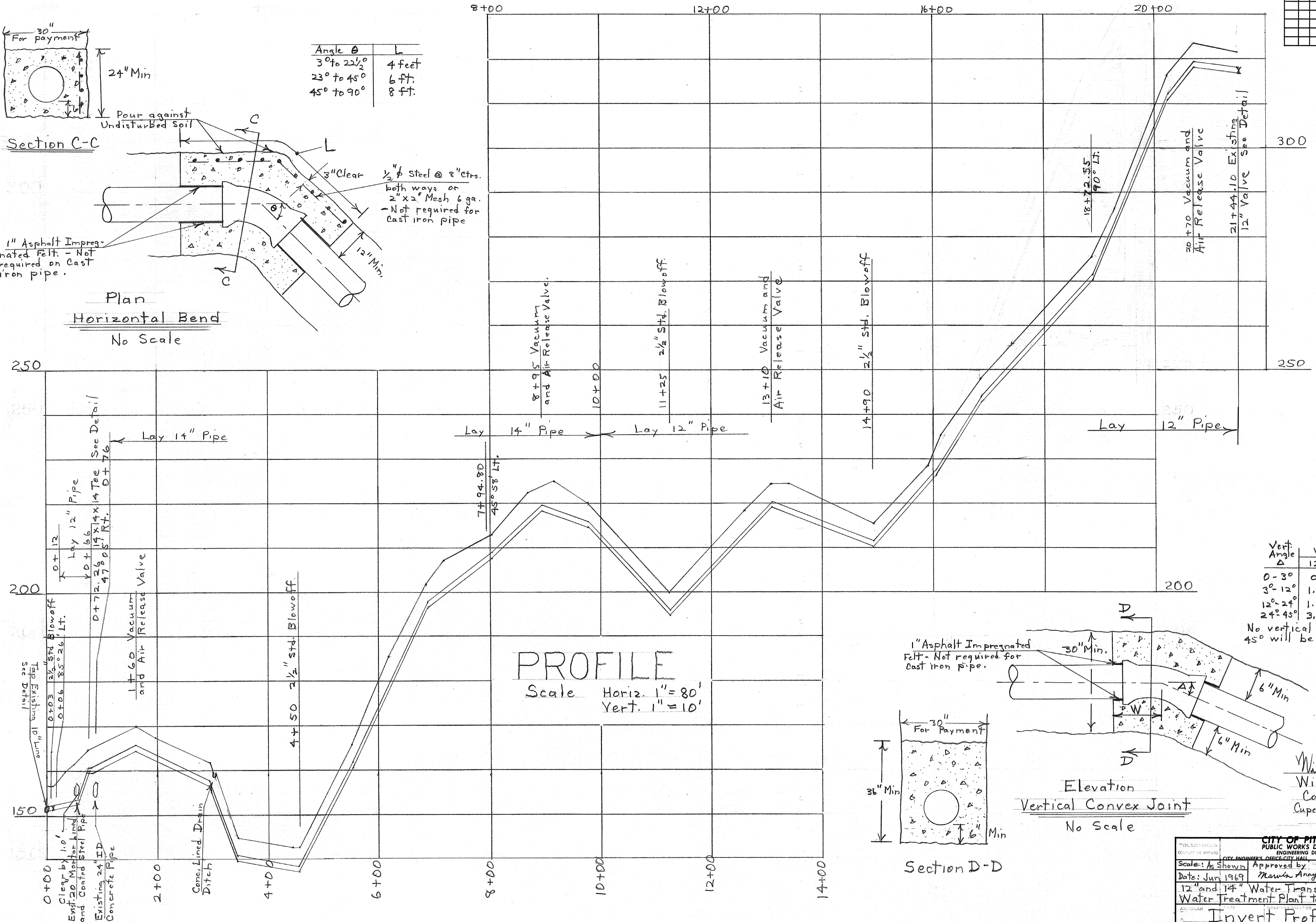
DATE	BY	REVISION RECORD	AUTH.	DR.	CK.



Angle $\theta$	L
3° to 22½°	4 feet
23° to 45°	6 ft.
45° to 90°	8 ft.



Plan  
Horizontal Bend  
No Scale

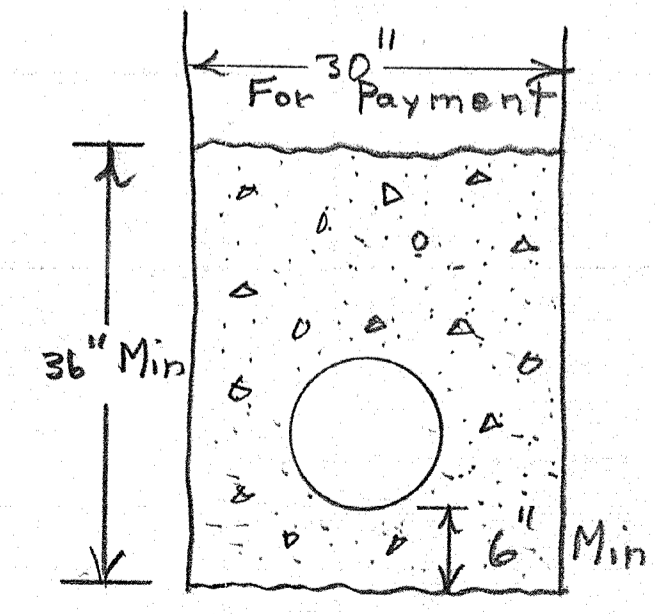


PROFILE  
Scale Horiz. 1" = 80'  
Vert. 1" = 10'

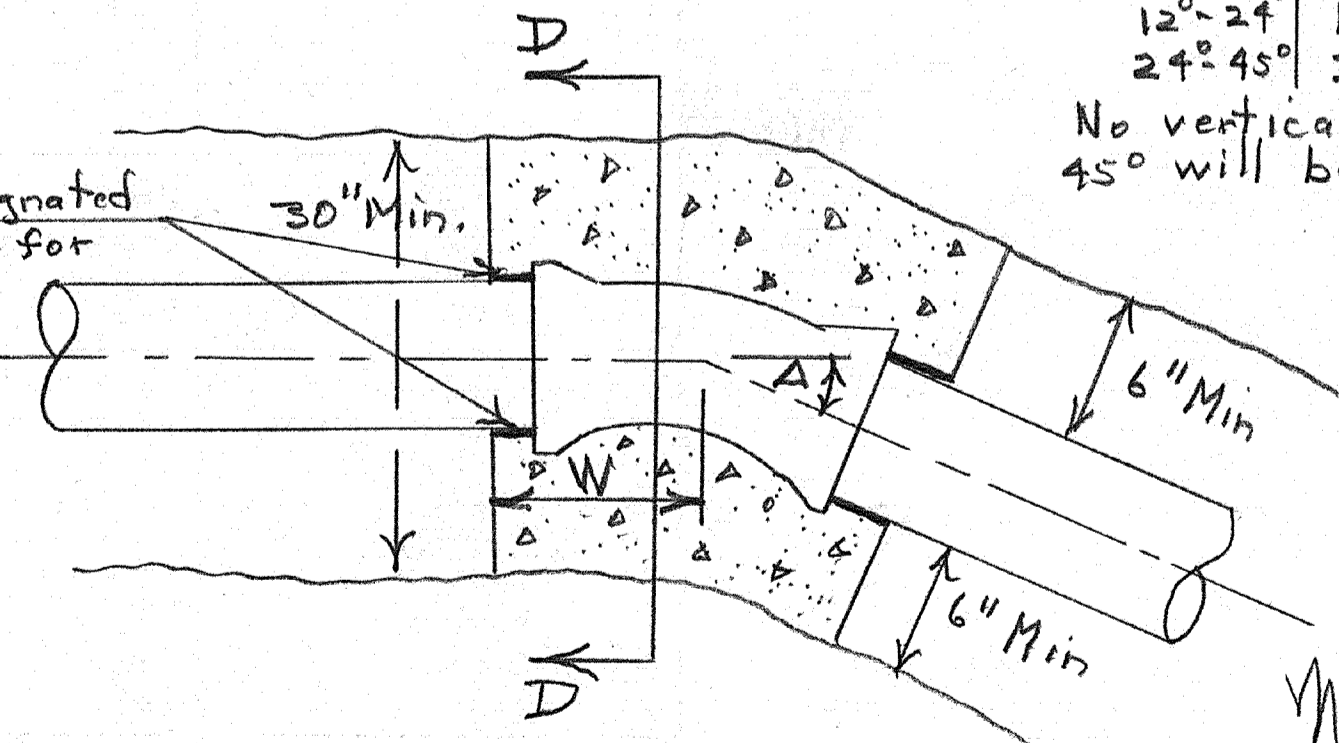
Vert. Angle $\Delta$	W in feet	
	12"	14"
0-3°	0	0
3°-12°	1.0	1.5
12°-24°	1.5	3.0
24°-45°	3.0	5.5

No vertical angles over 45° will be permitted.

1" Asphalt Impregnated Felt - Not required for Cast iron Pipe.



Section D-D

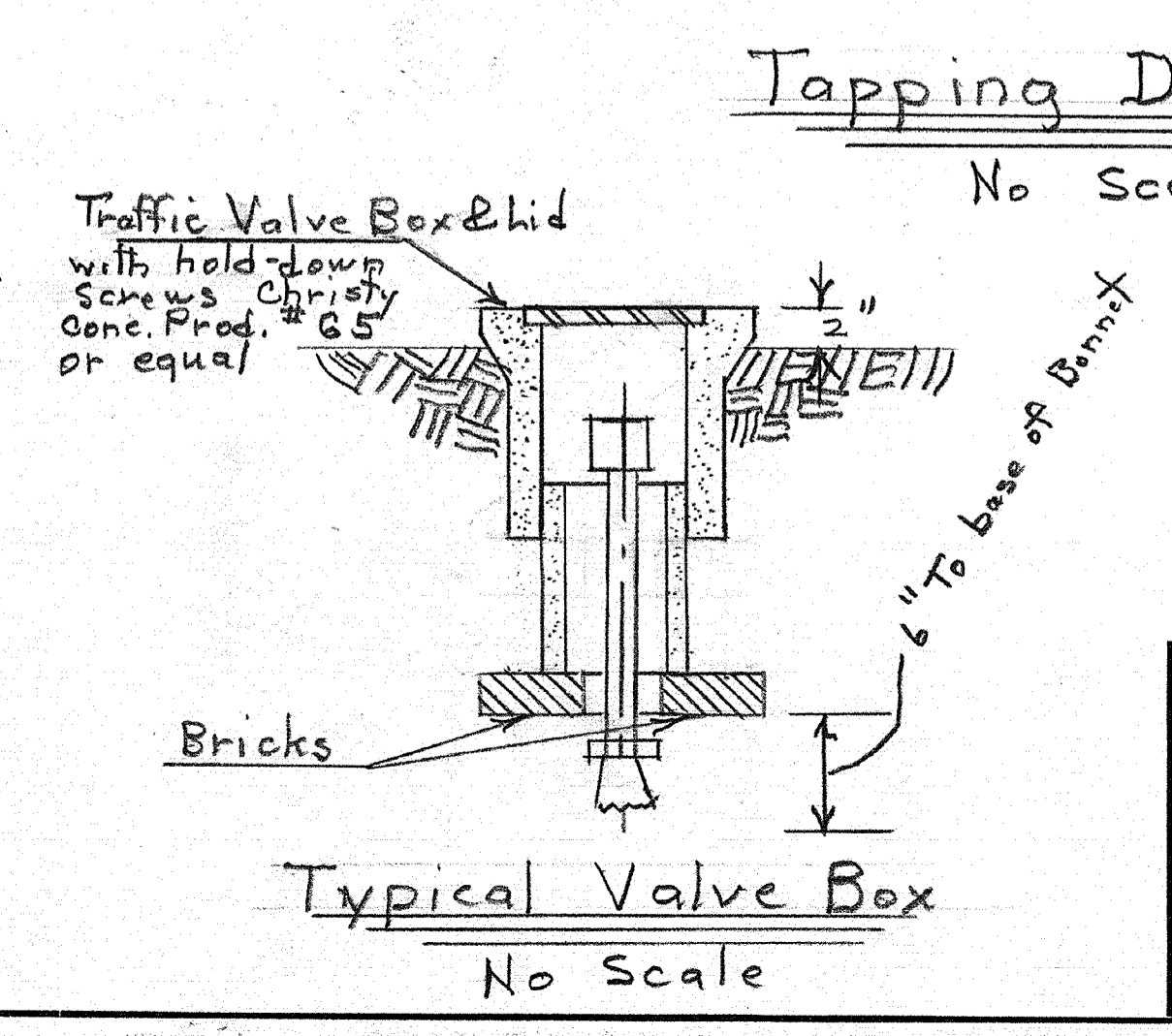
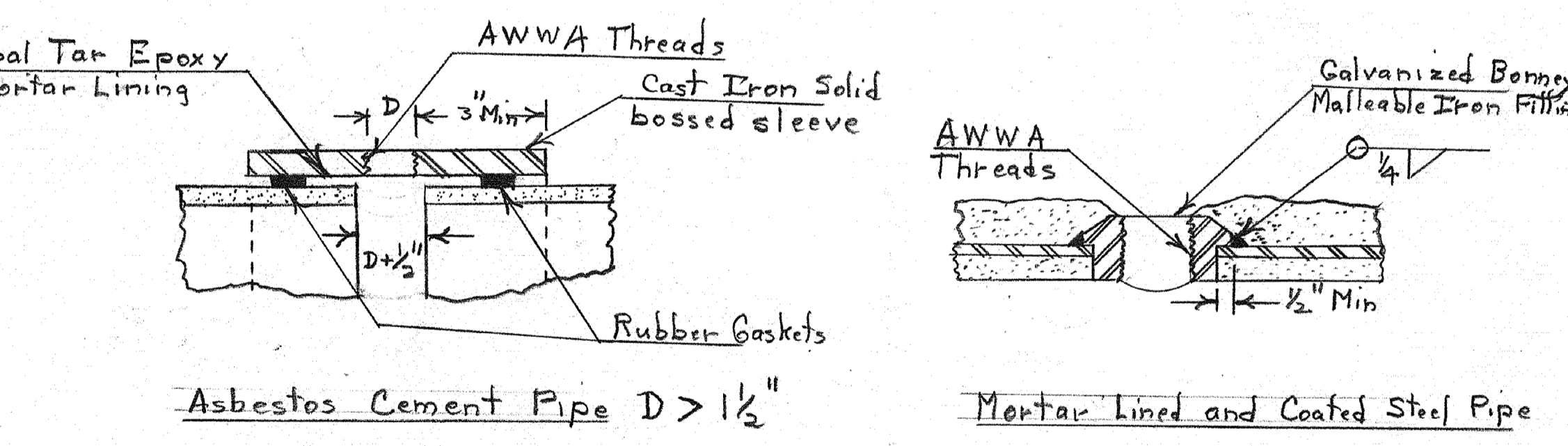
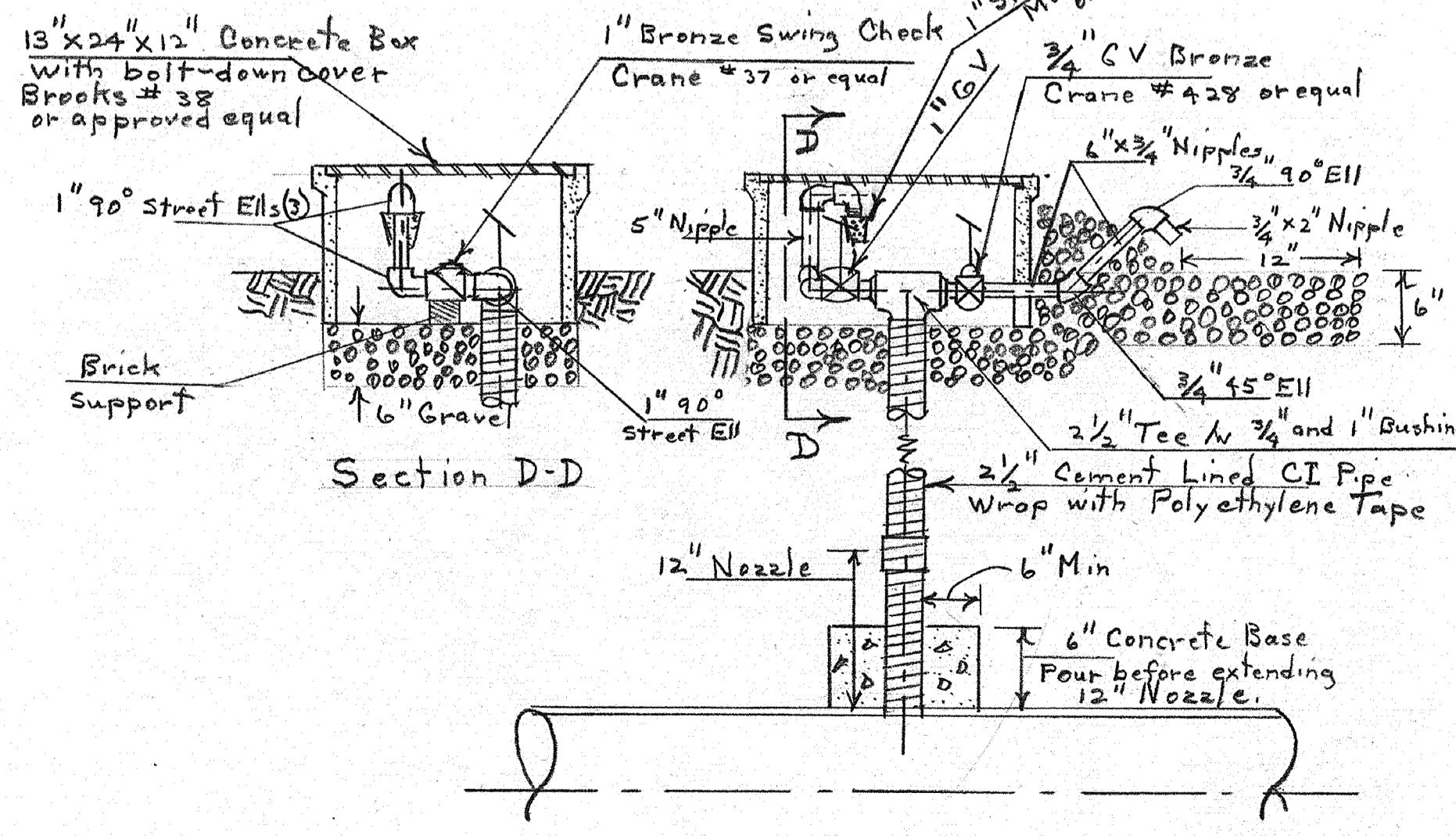
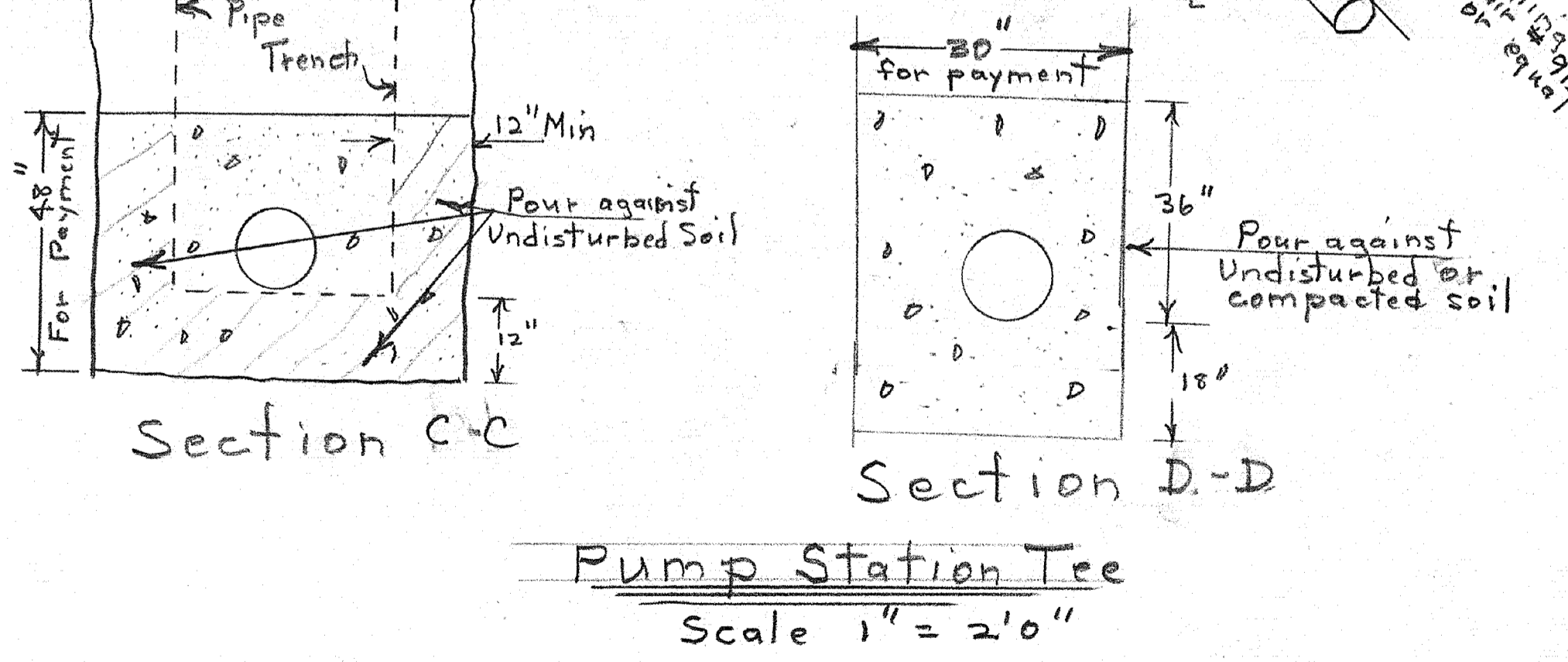
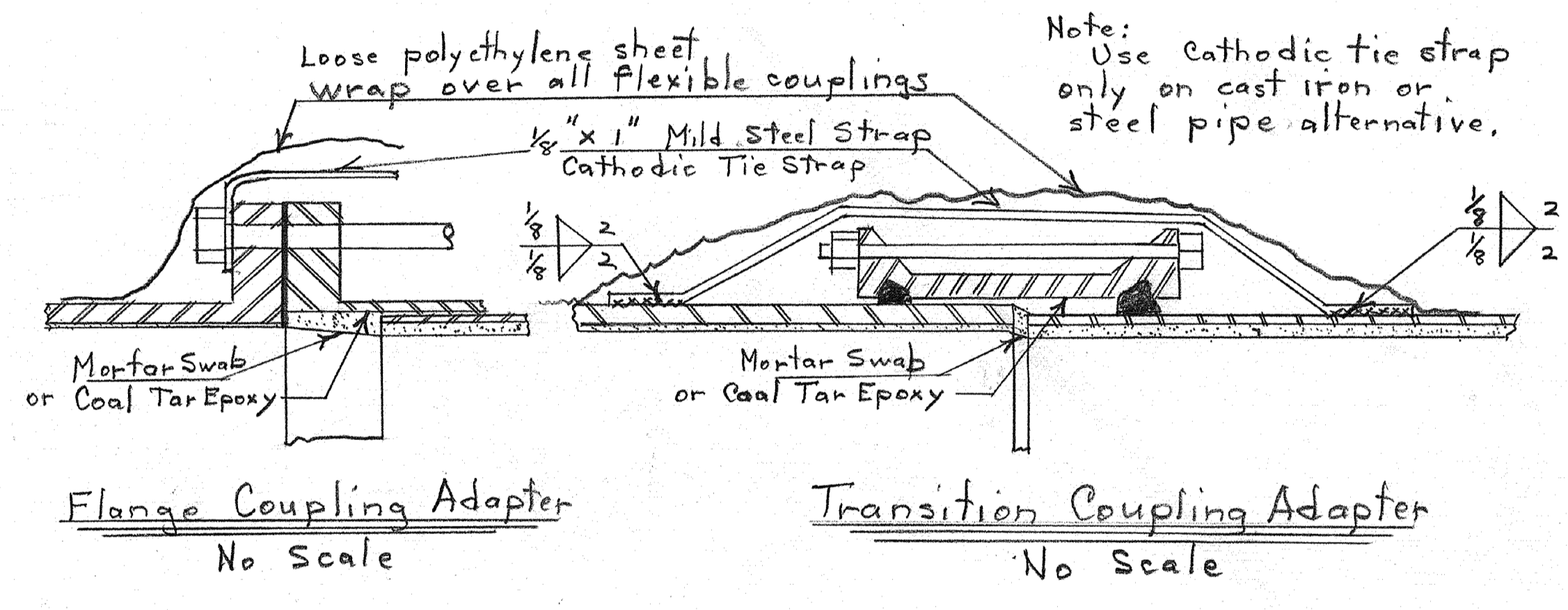
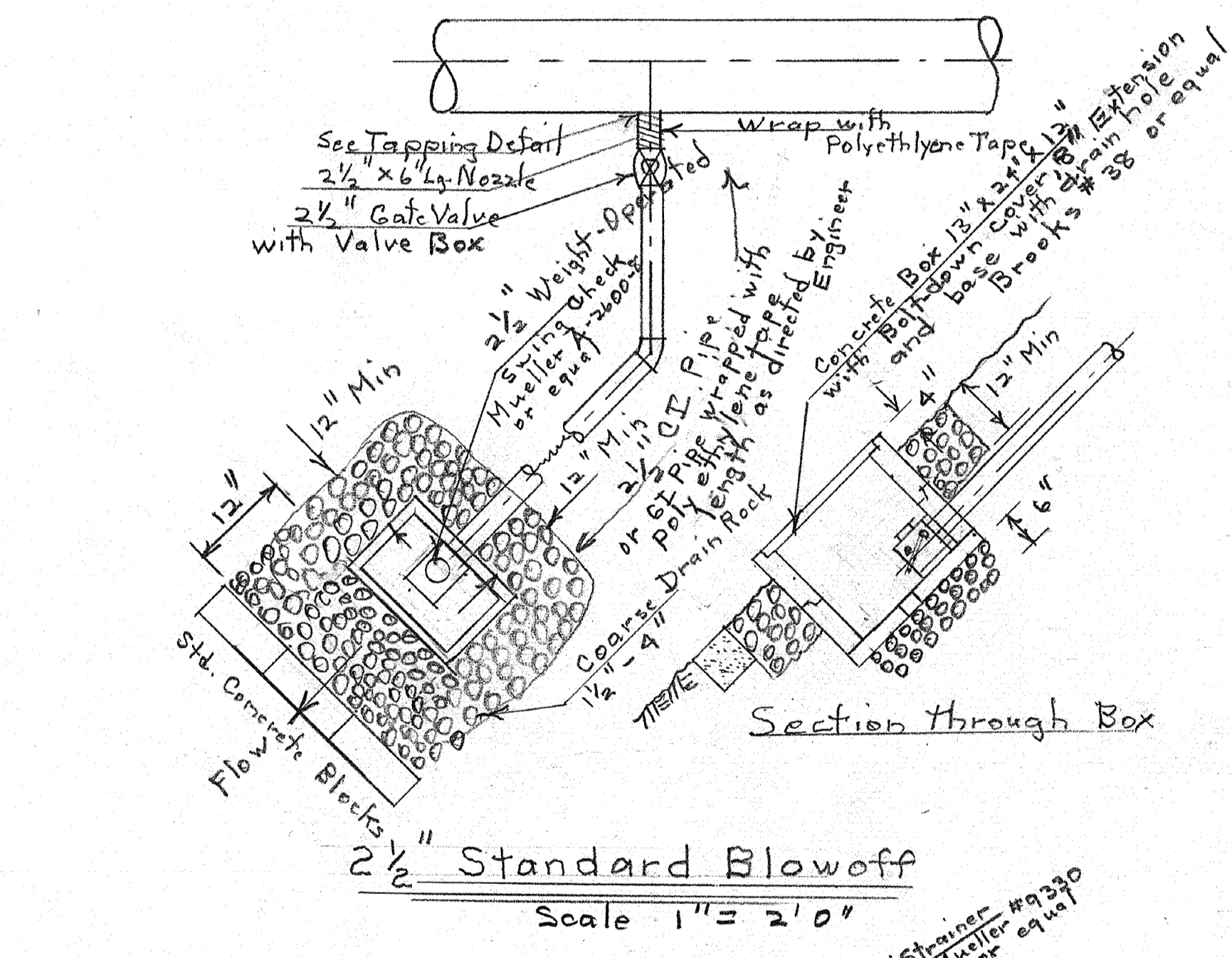
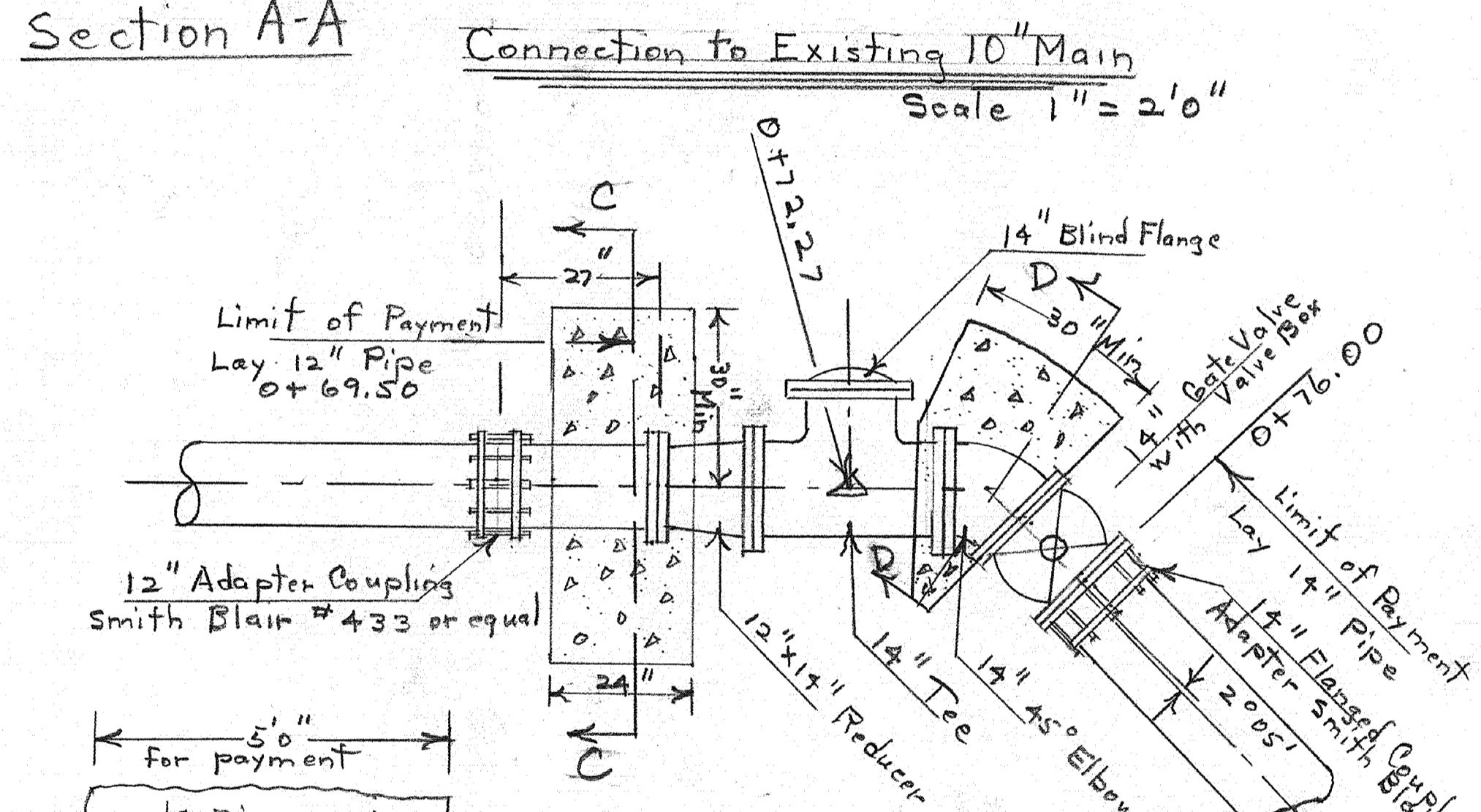
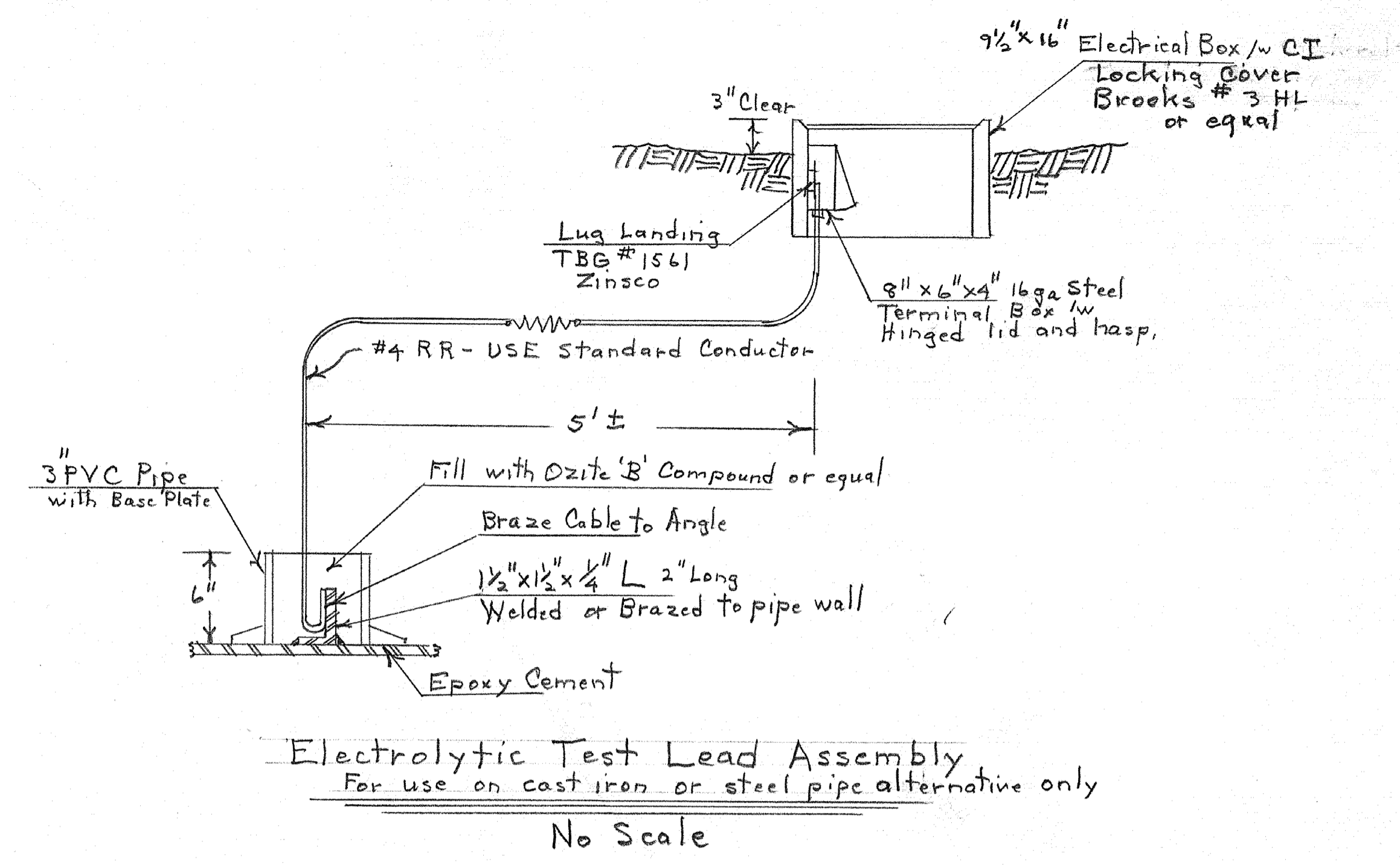
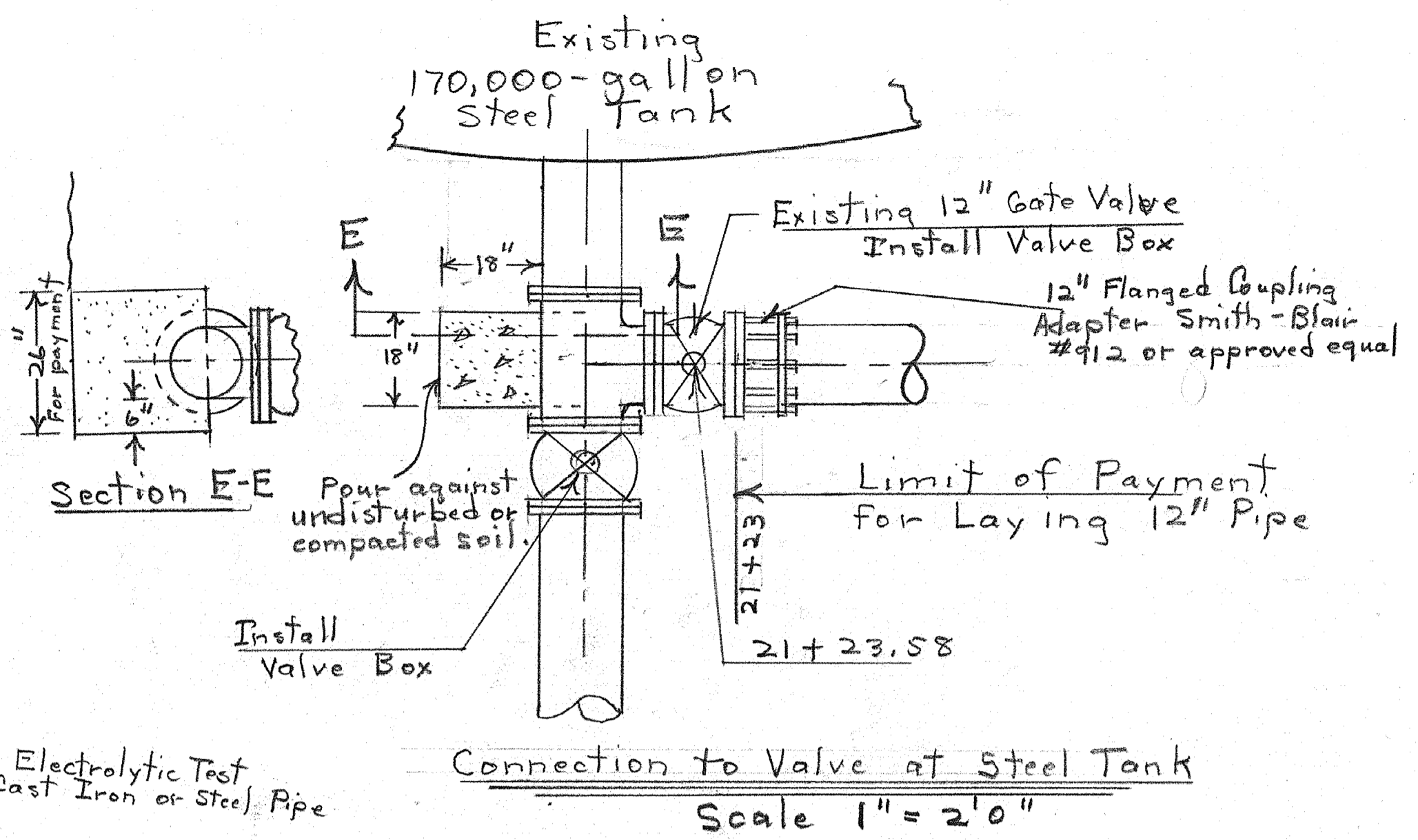
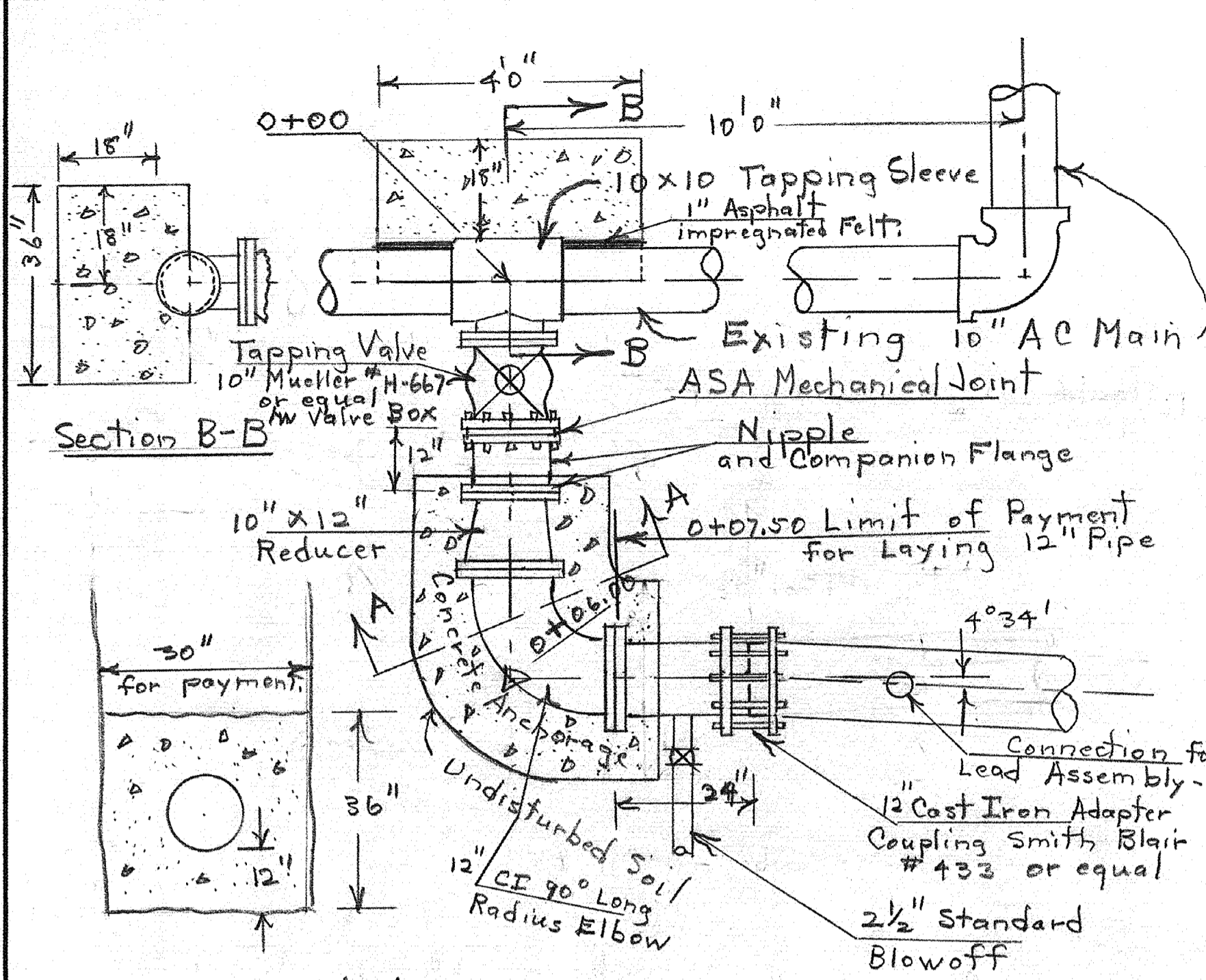


Elevation  
Vertical Convex Joint  
No Scale

William G. Dunn  
William G. Dunn  
Consulting Engineer  
Cupertino, Calif.  
RCE #8641

**CITY OF PITTSBURG**  
PUBLIC WORKS DEPARTMENT  
ENGINEERING DIVISION

Scale: As Shown Approved by: *Maxine Anaya* DRAWN BY: *WGD*  
Date: Jun 1969  
12" and 14" Water Transmission Main from Water Treatment Plant to 170,000-gal Steel Tank  
Invert Profile D-860



William G. Dunn  
 Consulting Engineer  
 Cupertino, Calif.  
 RCE # 8641

CITY OF PITTSBURG  
 PUBLIC WORKS DEPARTMENT  
 ENGINEERING DIVISION  
 CITY ENGINEER'S OFFICE-CITY HALL PITTSBURG, CALIFORNIA

SCALE: As Shown	APPROVED BY: <i>Maria Anaya</i>	DRAWN BY: WGD
DATE: Jun 1969	REVISION:	REVISION:
12" and 14" Water Transmission Main from Water Treatment Plant to 170,000 gal Steel Tank		DRAWING NUMBER: D-860
Miscellaneous Details		D-860

Sheet 3 of 3